



victron energy
BLUE POWER

Manual

EN

Manuale

FR

Anleitung

DE

Manual

ES

Manual

IT

Användarhandbok

SE

BlueSolar Grid Inverter

1500 / 230

2000 / 230

2800 / 230

4000 / 230

5000 / 230

Before you start

This manual contains important information regarding installation and safe operation of this unit. Please read this manual carefully before use.

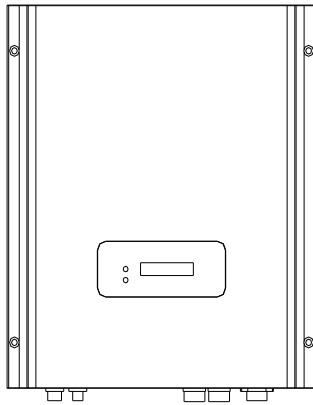
The BlueSolar grid-tied solar inverters are professional products that need to be installed by qualified personnel only. Please read the safety instructions for more information.

Inside the inverter very high voltages are present which are dangerous for life.

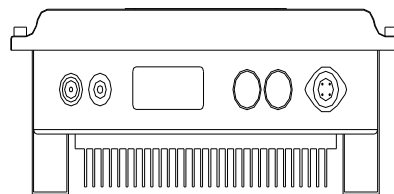
If you encounter any problems during installation or operation of this unit, first check this manual before contacting your local dealer or a Victron energy representative. Instructions inside this manual will help you solve most installation and operation difficulties.

1. Content

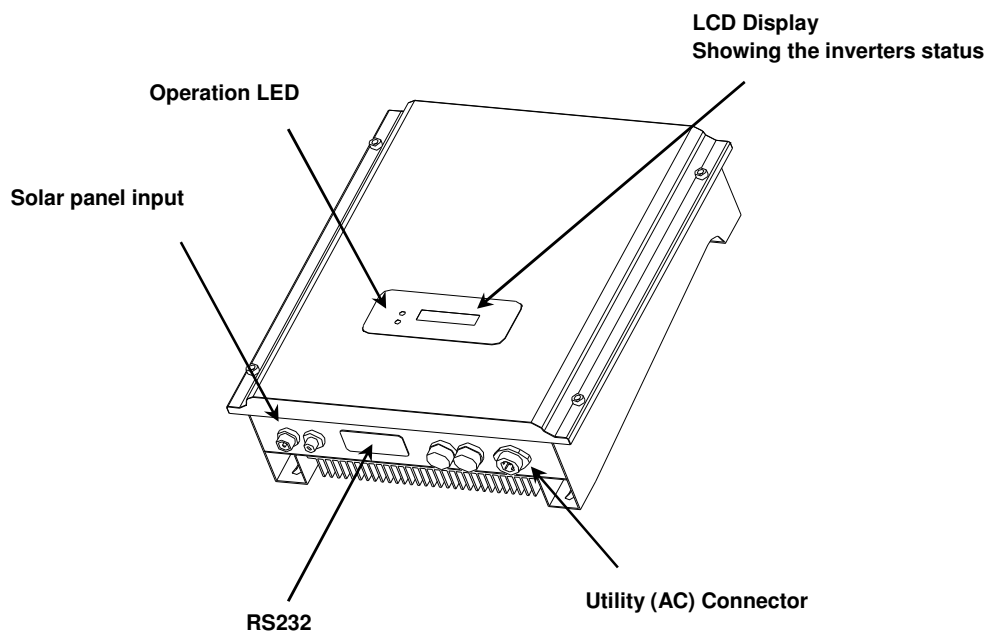
BlueSolar 1500, 2000 and 2800 overview



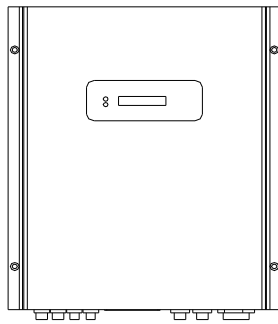
Front View



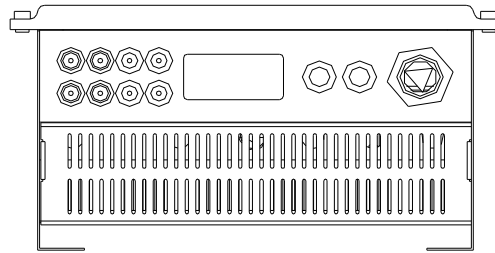
Bottom View



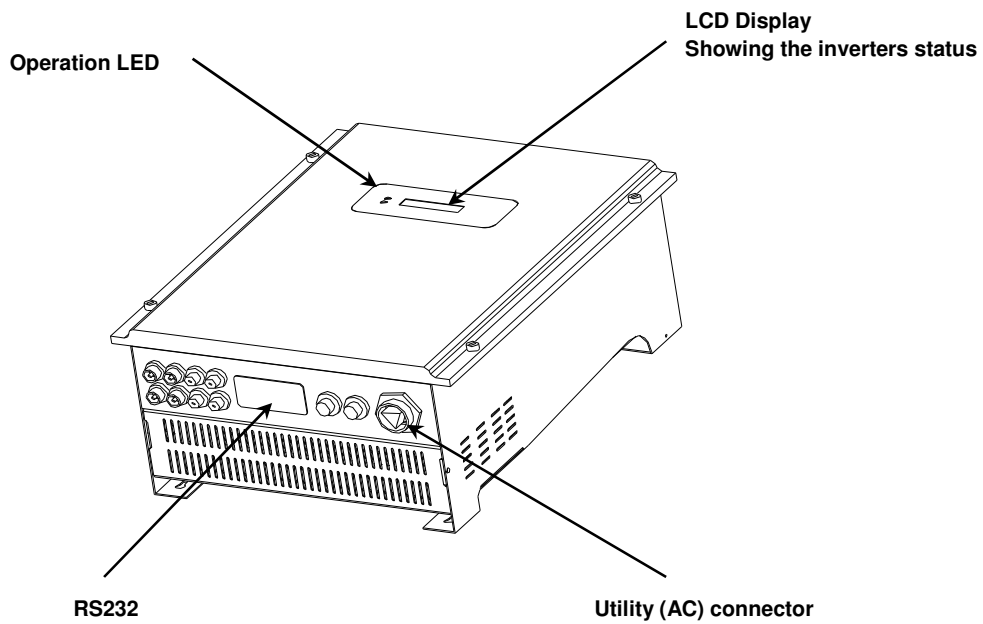
BlueSolar 4000 and 5000 overview



Front View



Bottom View



EN

FR

DE

ES

IT

SE

Appendix

Opening the package

After opening the package, please check the contents of the box. It should contain the following items:

Item	Name	Quantity
1	BlueSolar inverter	1
2	Mounting frame	1
3	Mounting screws	4
4	Safety-lock screws	2
5	AC socket assembly	1
6	Instruction manual	1

2. INSTALLATION

2.1 Safety instructions



The solar panels and cables should have Protection Class-II



Do not disconnect the DC-cables when the inverter is connected to the utility mains!
DC arcs will damage the connectors and could lead to serious burns and risk of fire.



Qualified personnel must install the inverter.
This inverter should be connected to a separate fuse in the breaker-box. No other household devices should be connected to this.



Do not open the inverter!
High voltages inside the inverter are dangerous for life.
Even after the unit is disconnected from the grid and photovoltaic panels, high voltages may still exist inside the PV-inverter.



Some parts and surfaces of the Inverter can become hot during operation. To reduce the risk of injury, do not touch the heat sink at the back of the PV-Inverter or nearby surfaces while Inverter is operating.



Do not install the inverter near explosive vapors or flammable items.



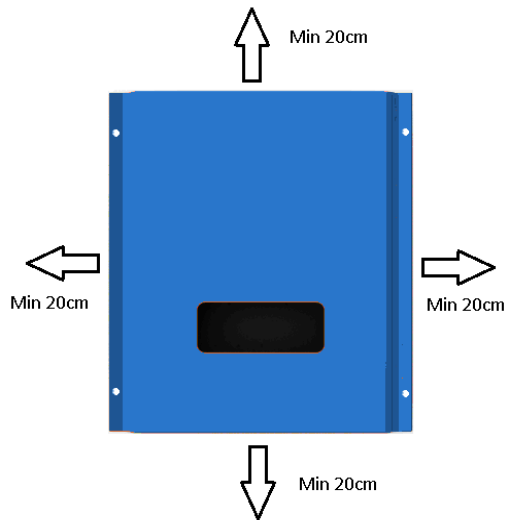
This unit is designed for outdoor usage (IP65).

Do not expose the inverter to direct sunlight.
Direct sunlight increases the internal temperature which may reduce conversion efficiency.

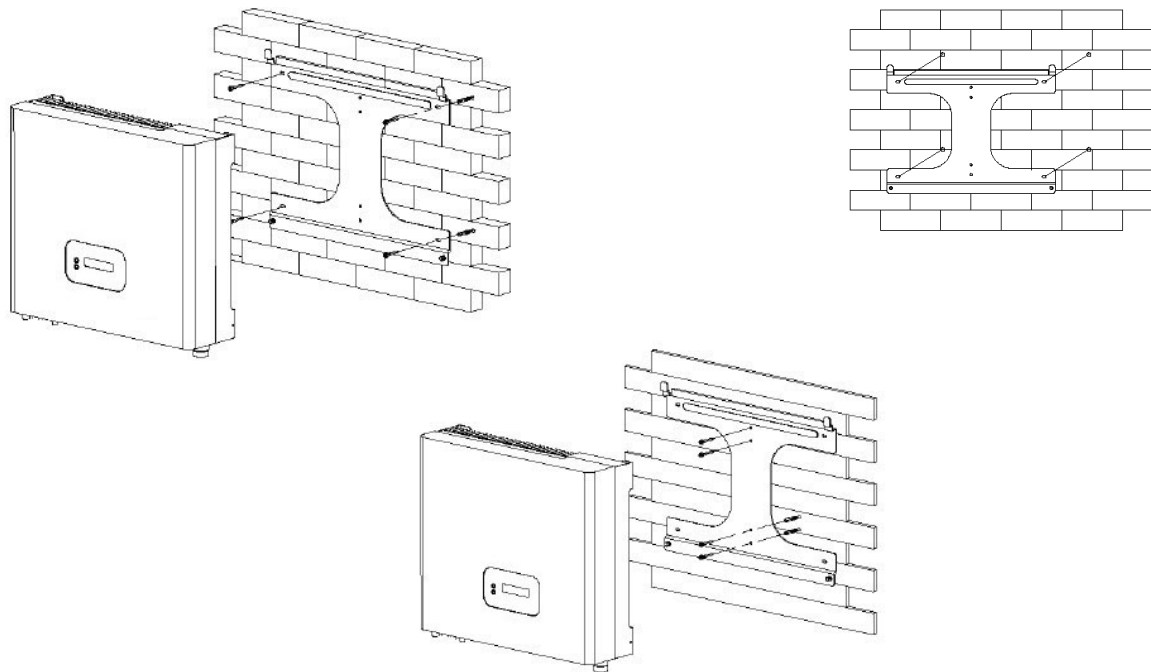
Do not expose the inverter to rain.
Direct exposure to rain may, in course of time, increase humidity in the product, and ultimately result in failure.

2.2 Mounting instructions

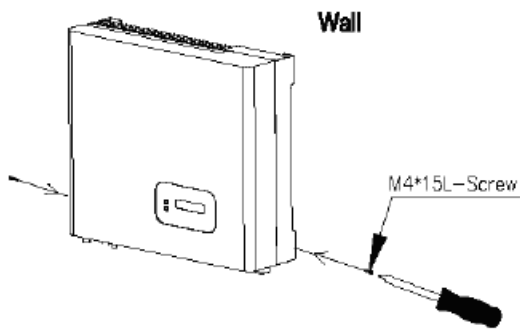
- A. Select a wall or solid vertical surface that can support the inverter.
- B. The inverter uses natural convection for cooling. Allow at least 20cm space above, below and on the sides of the inverter.



- C. Using the mounting frame as a template, drill 4 holes as illustrated in the following figures.



- D. Fix the mounting frame to the wall with the 4 screws.
- E. Hang the inverter on the mounting frame.
- F. Insert the safety-lock screws to the bottom leg to secure the inverter.

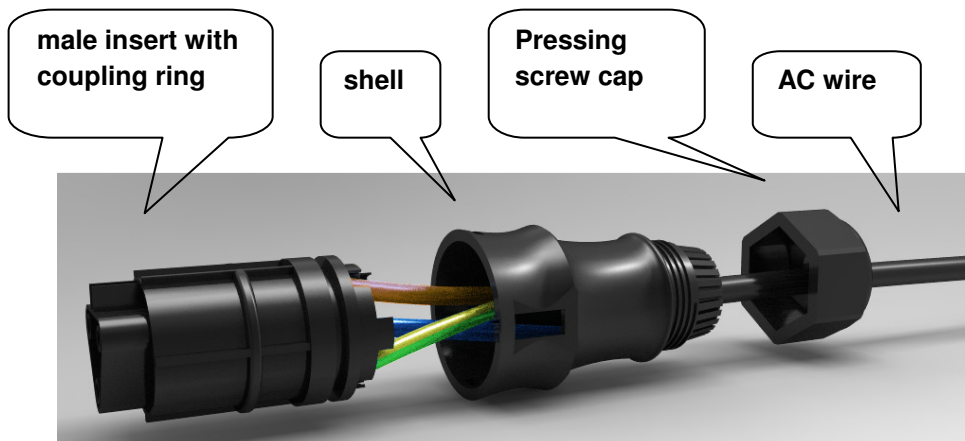


- G. Check the mounting of the inverter securely by trying to raise it from the bottom. The inverter should remain firmly attached.

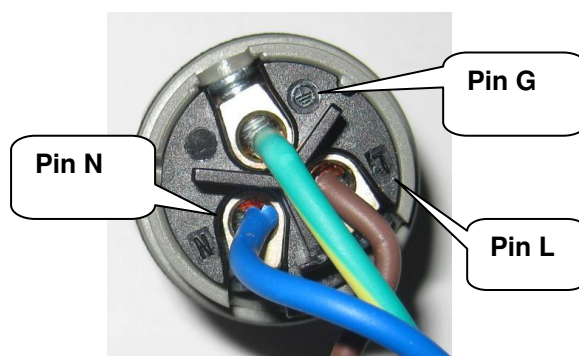
When the mounting is done, the inverter can be connected.

2.3 Connecting the inverter to the public grid

- A. Install a separate AC-line on a dedicated breaker from the breaker-box to the solar-inverter. No other appliances should be connected to this line. Open the breaker or fuse to disconnect power from the line.
- B. Connect a mains-cable to the AC-plug as described below:



- Insert ac-wire through the pressing screw-cap and the shell. Connect wires according to polarities indicated on terminal block. L→LINE (brown or black), N→Neutral (blue) and G→system ground (yellow-green).
- Fasten the gland plate with attached screws.
- Twist the gland so that the cable is firmly fixed.
- Insert Line wire to Pin L, Neutral wire to Pin N and Ground wire to Pin G.



Recommended wire size for AC wire

Model	Minimum wire size (mm ²)
BueSolar 1500	1.50
BueSolar 2000	2.50
BueSolar 2800	2.50
BueSolar 4000	4.00
BueSolar 5000	4.00

- C. Connect the mains-cable to the inverter.
- D. Connect the mains-cable to the dedicated power outlet.



Do not close the circuit breaker or fuse while working on the inverter.

2.4 Connecting the inverter to the photovoltaic panels

- A. The connectors from the photovoltaic panels should be MC4 (Multi-Contact 4mm)



When more than one PV-string is connected to the inverter (for the 2800, 4000 and 5000W) models, make sure the strings are identical. The total open circuit voltage and short circuit current must be equal.

Connecting these plugs to the solar-cables requires special tooling, and should only be done by qualified personnel. Improper connection can cause fire. Most solar panels have these connectors already attached to the cables.

- B. The voltage from the photovoltaic panels should never exceed the maximum input voltage of the inverter.




Blue Solar 1500: The open circuit voltage of the solar array (Voc) should never exceed 450V under any condition!
 Blue Solar 2000 and 2800: Voc should never exceed 500V under any condition!
 Blue Solar 4000 and 5000: Voc should never exceed 550V under any condition!
 The inverter will be permanently damaged if the Voc is too high.



Notice that the Voc is at its highest when the solar-panels are at the lowest local temperature that can be expected, and do not carry current (inverter unplugged from public grid), with maximum sunlight (1000W/m²).

- C. Verify if the polarity of the DC-plugs is correct. Incorrect polarity connection could permanently damage the unit.
- D. Connect the positive and negative terminals from the PV panel to positive (+) terminals and negative (-) terminals on the inverter. The maximum current rating of DC terminals is 20A.



Verify that the short-circuit-current of the solar array is below the maximum DC input current of the inverter.

The inverter will not draw more current from the panels than $I_{PV\ max}$ (see specification). If more current is available from the panels, the inverter will not consume this extra current / power. The total system power will be lower than expected.

2.5 System start-up

When the PV panels are connected and their output voltage is greater than 100 VDC but the AC grid is not yet connected, the message on the LCD display produces the following messages: "MODEL= XkW" -> "Waiting" -> "Disconnect grid". The display repeats "Disconnect grid" and the red LED "Fault" turns on.

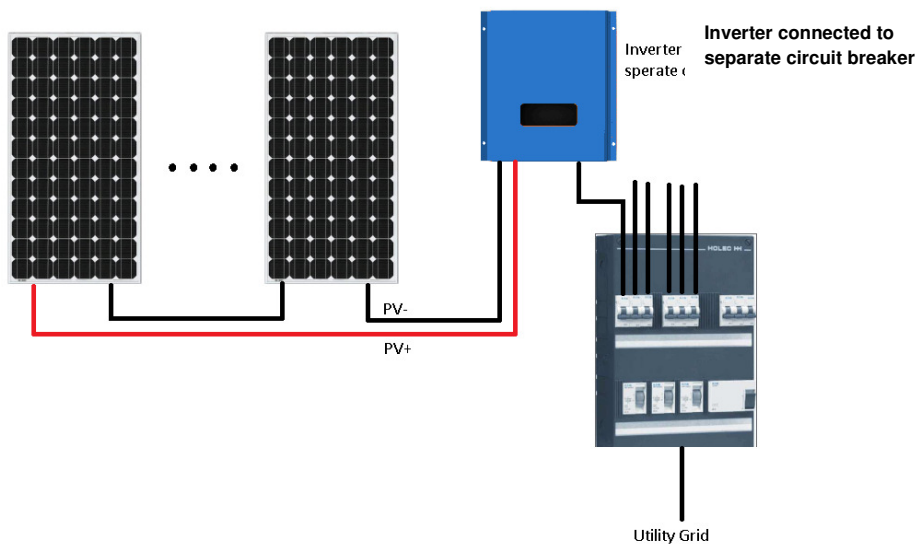
Close the AC breaker or fuse between PV-Inverter and grid.

If the mains-voltage and frequency are within limits, a countdown will start (visible on the display).

When the countdown has reached 0s, the inverter will connect to the grid and deliver energy.

The LCD displays "Pac=xxxx.xW", which is the power fed into the grid. The green LED will be on indicating a normal condition.

2.6 System Diagram



3. MODES OF OPERATION

There are 5 different modes of operation.

Standby mode

If the voltage from the photovoltaic panels is <100VDC the inverter has just enough power to start-up the internal controller, but the voltage is too low to start energy conversion.

Waiting mode

When the voltage from the photovoltaic panels is >100VDC, the inverter enters a "waiting-state" and attempts to connect to the grid.

Normal mode

In this mode the inverter works normally. Whenever the voltage from PV panel is sufficient (voltage>150VDC), the inverter converts power into the grid. In normal mode the green LED is on.

Fault mode

The internal controller continuously monitor the system status. In case of unexpected conditions such as grid problems or an internal failure, it will display the information on its LCD-display and light up the red "Fault" LED.

Shutdown mode

During periods of little or no sunlight, the inverter automatically stops. The display and LED's on the front panel do not work.

Starting-up display sequence: Once the PV power is sufficient, the inverter displays information as follows:

"User: xxxx" → "Spec:xxxx" → "Model:x.xkW" → "SW Version :xx.xx" → "Checking xxS" → "Normal State" → "Pac= xxx.x W".

The LCD display backlight automatically turns off after 30 seconds to save power.

LCD display

The first line of LCD		
State	Display content	Remark
Wait State	Waiting	Initial waiting
	Checking xxS	System checking
	Reconnect in xxS	System checking
	Standby	PV voltage low
Normal State	Pac = xxxx.x W	Inverter output power
Auto Test State	Auto testing	Protection auto test
Fault State	System xx Fault	System fault
Permanent State	Inverter xx Damaged	Inverter fault
Program State	Programing	Update software

The second line of LCD		
Cycle display	Display time /s	Remark
User: xxxx	1	The user type
Spec: xxxx	1	The inverter spec type
Model:x.xkW	1	The inverter model
SW Version:xx.xx	1	The software version
Etotal: xxxkWh	2	The energy total
Etoday: xx.xkWh	2	The energy today
Ttoday:xxhxxmin	2	Operation hours today
PV:xxxV BUS:xxxV	2	The PV and Bus voltage
AC:xxxV xx.xHz	2	The Grid voltage and frequency

4. TROUBLE SHOOTING

In case of a malfunction/system failure, the red (Fault) LED on the front panel turns on and the LCD displays the cause of the problem.

Please refer to the following table for a list of all possible LCD-warnings.

Warning:	Grid V Fault
Explanation:	The utility mains voltage is too high or too low
Action:	<p>Check the mains-voltage on the display. Wait for 5 minutes. If the grid voltage returns to normal the inverter will automatically restart.</p> <p>If the voltage increases and becomes too high when the inverter is starting up, it possibly means that the mains-connection has too much resistance, or has bad connections.</p> <p>It is possible to monitor the mains-voltage with the data-logging software supplied with your inverter. A mains-voltage that increases with more than 10V when the inverter goes from 0W to full output power indicates a high impedant mains network.</p> <p>If the problem persists, call an electrician.</p>
Warning:	Grid F Fault
Explanation:	The utility mains frequency is too high or too low
Action:	<p>Check the mains-frequency on the display. Wait for 5 minutes. If the grid frequency returns to normal the inverter will automatically restart. If the mains-frequency remains outside the limits of this inverter, call an electrician.</p>
Warning:	Disconnected grid
Explanation:	There is no mains-voltage present on the inverter.
Action:	Check if the fuse or circuit -breaker for the solar-inverter in the circuit breaker-box is closed. If the circuit breaker or fuse is closed call service.
Warning:	High PV Voltage
Explanation:	The voltage coming from the solar-panels is too high.
Action:	<p>Check the value on the LCD which refers to the PV-voltage, (PV:xxxV). If this value is close to or more than the value in the specification referred to as "Max input voltage", open the circuit-breaker and then remove all cables from the PV-inverter immediately! Call service. Your PV-inverter will be damaged if no action is taken.</p>
Warning:	High Temperature
Explanation:	The temperature of the inverter is too high.
Action:	<p>Check if the ambient temperature of the inverter is not too high. Check if the inverter is mounted according to the specification, and that there is sufficient room around the inverter for convection. Check if the black cooling bracket behind the inverter is clean and has no obstructions. If the problem persists, call service.</p>
Warning:	Not Consistent
Explanation:	The 2 micro controllers in the inverter have contradicting data.
Action:	Call service.
Warning:	Eeprom damaged
Explanation:	The Eeprom memory in the inverter is damaged.
Action:	Call service.
Warning:	Low Isolation
Explanation:	During start-up of the inverter, the inverter measures the electrical isolation between the solar-panels to protective earth / ground. If the isolation is insufficient, the inverter will not start up to prevent an unsafe situation.
Action:	Open the circuit breaker, and then disconnect the DC-plugs from the inverter for 5 minutes. After 5 minutes reconnect DC-plugs and close AC breaker.

Warning:	High ground I
Explanation:	The GFCI (Ground Fault Current Interrupter) is active due to a fault current from live parts to the earth. The inverter will shut down.
Action:	Open the circuit breaker, and then disconnect the DC-plugs from the inverter for 5 minutes. After 5 minutes reconnect DC-plugs and close AC breaker. If the problem persists, call service.
Warning:	Please Initiate
Explanation:	The inverter has not been initiated for the first time in the factory.
Action:	Call service
Warning:	GFCI Damaged
Explanation:	The GFCI-protection unit is damaged.
Action:	Call service
Warning:	Sensor Damaged
Explanation:	The DC current sensor in the inverter is damaged.
Action:	Call service
Warning:	SCI damaged
Explanation:	The communication between the two micro controllers in the inverter has failed.
Action:	Call service
Warning:	High DC INJ
Explanation:	Normally the inverter injects AC-current into the public grid. When the warning "high DC INJ" is on, for some reason the injection of DC-current into the grid is higher than acceptable, and the inverter shuts down.
Action:	Open the circuit breaker, and then disconnect the DC-plugs from the inverter for 5 minutes. After 5 minutes reconnect DC-plugs and close AC breaker. If the problem persists, call service.
Warning:	High Bus Voltage
Explanation:	The internal BUS-voltage is too high.
Action:	Open the circuit breaker, and then disconnect the DC-plugs from the inverter for 5 minutes. After 5 minutes reconnect only the DC-plugs (do not close the circuit-breaker!). Is the warning "High Bus Voltage" visible on the display? Yes→ the voltage from the solar panels is too high, or there is an internal failure (Call service). No→ close the circuit-breaker and wait for the inverter to reconnect to the grid. If the "High Bus Voltage"-warning comes back again after reconnecting to the grid, there is probably something wrong with the grid. (Call an electrician).
Warning:	Relay Damaged
Explanation:	The internal relays used for connecting the inverter to the grid are damaged.
Action:	Open the circuit breaker. Call service
Warning:	Auto test failed
Explanation:	The self-test of the inverter has failed. There is an internal failure.
Action:	Open the circuit breaker, and then disconnect the DC-plugs from the inverter for 5 minutes. After 5 minutes reconnect DC-plugs and close AC breaker. If the problem persists, call service.
Warning:	2.5V Ref Fault
Explanation:	The internal voltage reference of the inverter is defect.
Action:	Call service.
Warning:	There is nothing visible on the display.
Explanation:	
Action:	The display power is coming from the solar panels. Check if the DC-plugs are firmly connected to the inverter. If there is sufficient daylight and the LCD does not give any indication / value → call service.

5. SPECIFICATIONS

BlueSolar Grid Inverter	1500	2000	2800	4000	5000
GRID OUTPUT (AC)					
Nominal output power	1500W	2000W	2800W	4000W	5000W
Maximum output power	1650W	2200W	3000W	4400W	5500W
Nominal output current	6.52A	8.7A	12A	17.5A	22A
Maximum output current	7.2A	9.5A	13A	19A	24A
Maximum fuse protection	16A	16A	16A	25A	25A
Harmonic distortion of output current	<3% at nominal power		<5% at 50% power		
Nominal AC output voltage	220V - 230V - 240V				
Power factor	>0,99% at nominal power				
Operating AC voltage range	190-260V				
Nominal AC frequency	50Hz				
Operating AC frequency range	45.5-54.5Hz				
Internal consumption at night	<0,1W				
Short circuit proof	Yes				
SOLAR INPUT (DC)					
Maximum Input voltage	450V	500V	500V	550V	550V
Input Voltage MPPT range	110-430V	110-480V	110-480V	110-530V	110-530V
Maximum input current	9A	10A	13A	18A	20A
Maximum input power	1750W	2280W	3160W	4500W	5200W
Number of MPPT trackers	1	1	1	1	1
Number of strings	1	1	2	4	4
Start-up power	7W	7W	7W	10W	10W
Ground fault monitoring	RCMU (residual current monitoring unit)				
Reverse polarity protection	Yes, with short circuit diode				
EFFICIENCY					
Maximum efficiency	95.5%	96.4%	96.4%	97.6%	97.8%
European standard efficiency	94.5%	95.4%	95.5%	96.7%	96.9%
GENERAL					
Topology	Transformerless				
Communication port	RS232				
Operating temperature range	-20°C to 60°C (automatic power limit in case of internal over temperature)				
Nominal power temperature range	-20°C to 55°C				
Storage temperature range	-20°C to 70°C				
Maximum operating altitude	2000 m (5% derating at 4000 m)				
Cooling method	Natural convection				
Relative humidity	Max 95%				
ENCLOSURE					
Protection degree	IP54				
DC connectors	MC4 (Multi Contact 4mm)				
Weight (kg)	14.8 kg	14.8 kg	14.8 kg	20.7 kg	20.7 kg
Dimensions (hwxwd, mm))	376x415x125	376x415x125	376x415x125	368x475x195	368x475x195
STANDARDS					
Safety	EN 50178				
EMC, Emission	EN 61000-6-3				
EMC, Immunity	EN 61000-6-2				
EMC, Harmonics and Flicker	EN 61000-3-2, EN 61000-3-3				
Automatic Grid Disconnection	VDE 0126-1-1				

Avant de commencer

Ce manuel contient des informations importantes relatives à l'installation et au fonctionnement en toute sécurité de cette unité. Veuillez lire ce manuel avec attention avant de commencer l'utilisation.

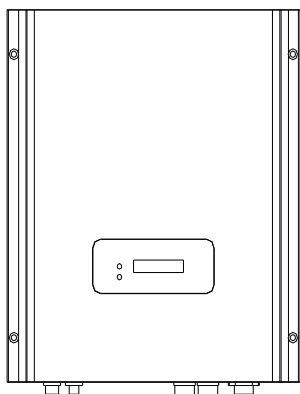
Les convertisseurs solaires BlueSolar raccordés au réseau sont des produits professionnels qui ne doivent être installés que par du personnel qualifié. Veuillez lire les instructions de sécurité pour de plus amples informations.

Des tensions très élevées, présentant un danger mortel, se trouvent à l'intérieur du convertisseur.

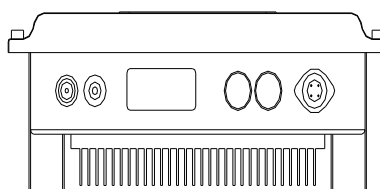
Si vous rencontrez des problèmes quelconques pendant l'installation et le fonctionnement de cette unité, vérifiez d'abord ce manuel avant de contacter votre fournisseur local ou un représentant de Victron Energy. Les instructions contenues dans ce manuel vous aideront à résoudre la plupart des difficultés d'installation et de fonctionnement.

1. Contenu

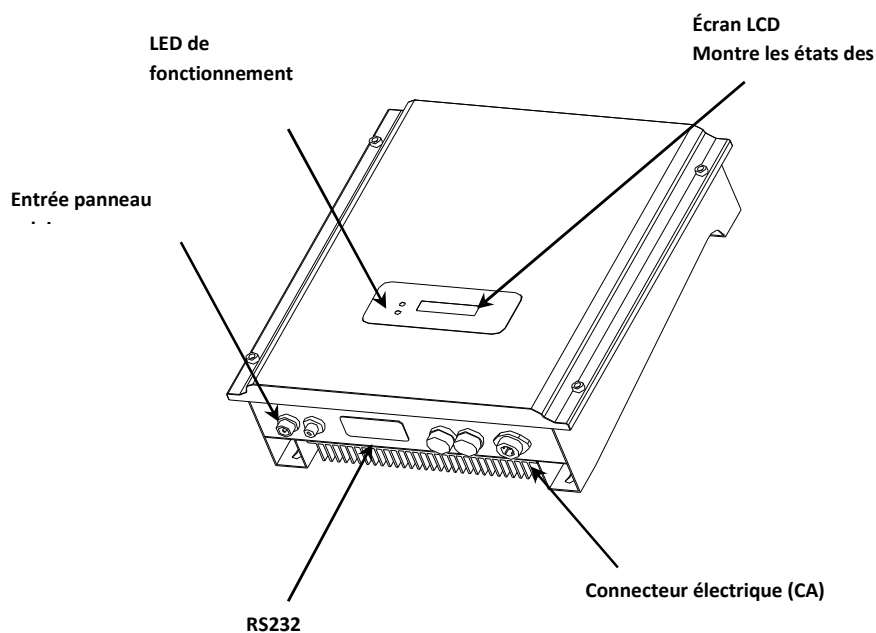
Vue d'ensemble BlueSolar 1500, 2000 et 2800



Vue de face



Vue de dessous



EN

FR

DE

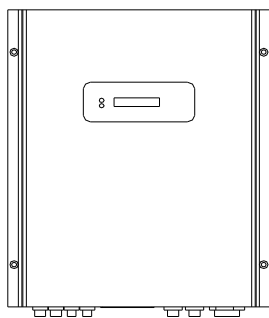
ES

IT

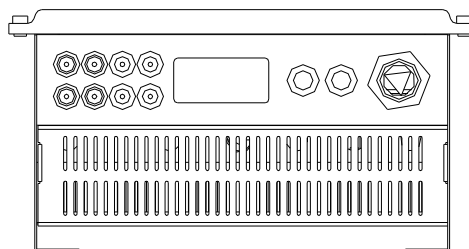
SE

Appendix

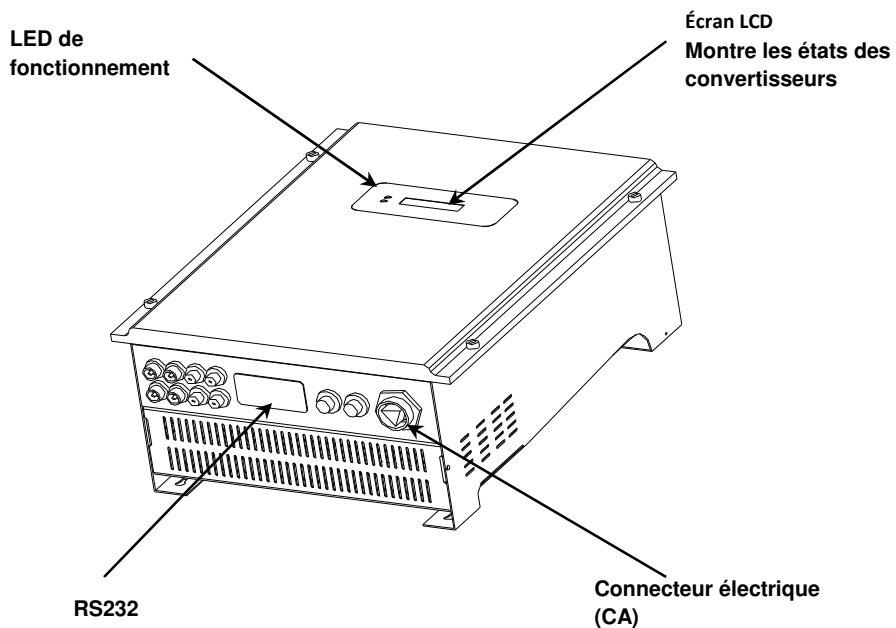
Vue d'ensemble BlueSolar 4000 et 5000



Vue de face



Vue de dessous



Ouverture du colis

Après l'ouverture du colis, veuillez en vérifier le contenu. Vous devez y trouver les articles suivants :

Article	Nom	Quantité
1	Convertisseur BlueSolar	1
2	Cadre de montage	1
3	Vis de montage	4
4	Vis de verrou de sécurité	2
5	Ensemble de prise CA	1
6	Manuel d'instructions	1

2. INSTALLATION

2.1 Instructions de sécurité



Les câbles et panneaux solaires doivent disposer de la classe de protection 2



Ne pas déconnecter les câbles CC quand le convertisseur est connecté au réseau électrique !
Des arcs CC endommageront les connecteurs et ils pourront entraîner de sérieuses brûlures ainsi que des risques d'incendie.



Seul du personnel qualifié doit installer le convertisseur.
Ce convertisseur devra être raccordé à un fusible à part dans la boîte des disjoncteurs.
Aucun autre appareil électroménager ne doit y être raccordé.



Ne pas ouvrir le convertisseur !
Les tensions élevées à l'intérieur du convertisseur peuvent être mortelles.
Même après avoir déconnecté l'unité du réseau et des panneaux photovoltaïques, il peut persister de tensions élevées dans le convertisseur PV.



Certaines pièces et surfaces du Convertisseur peuvent se chauffer pendant le fonctionnement. Pour réduire les risques de blessures, ne touchez pas le radiateur se trouvant derrière le convertisseur PV ou près des surfaces pendant le fonctionnement du convertisseur.



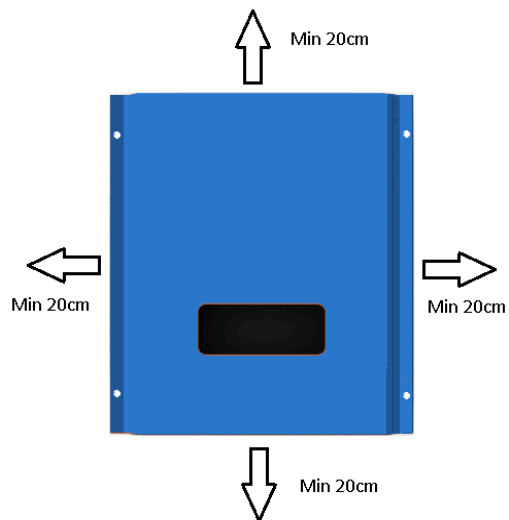
N'installez pas le convertisseur près de vapeurs explosives ou d'éléments inflammables.



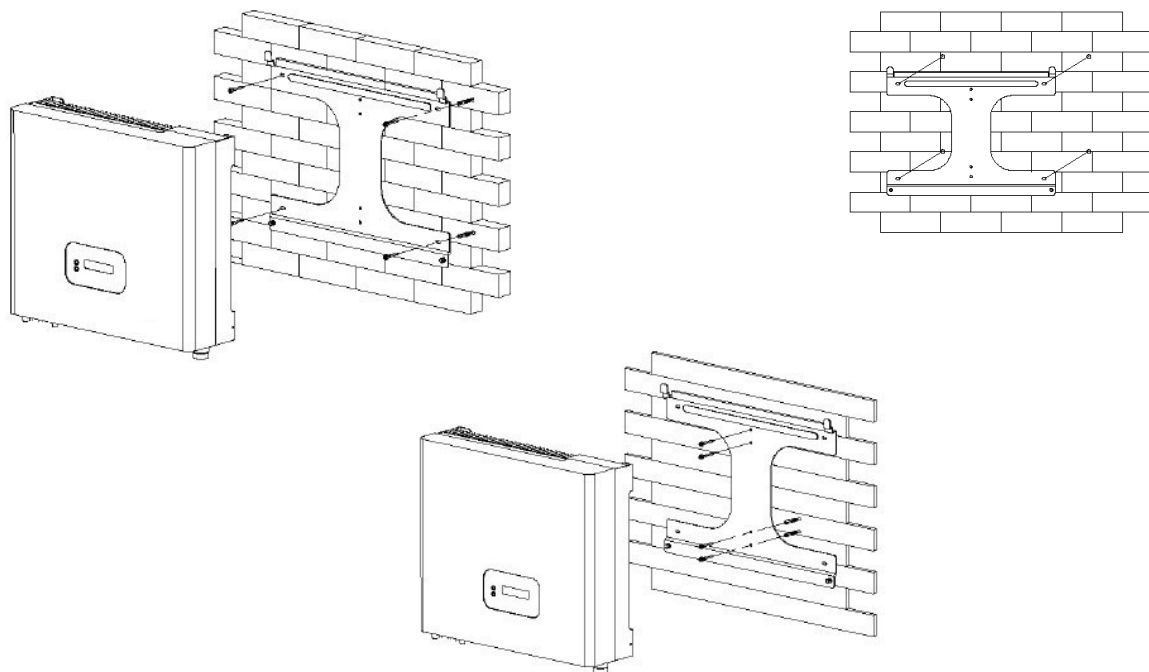
Cette unité est conçue pour une utilisation extérieure (IP65).
Ne pas exposer le convertisseur à la lumière directe du soleil.
L'ensoleillement direct augmente la température interne, ce qui peut réduire l'efficacité de la conversion.
Ne pas exposer le convertisseur à la pluie.
L'exposition à la pluie peut augmenter l'humidité à l'intérieur du produit au fil du temps, et finalement provoquer une défaillance.

2.2 Instructions de montage

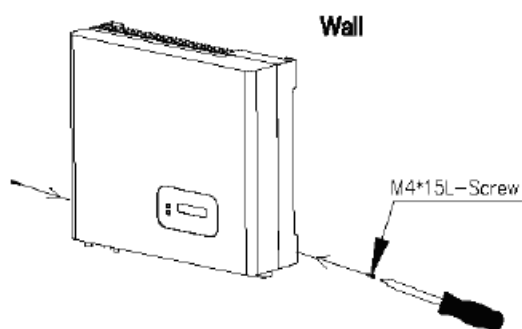
- A. Choisir un mur ou une surface verticale solide qui peut supporter le convertisseur.
- B. Le convertisseur utilise un système de refroidissement par convection naturelle. Laissez au moins 20 cm d'espace au dessus, dessous et sur les côtés du convertisseur.



- C. En utilisant le cadre de montage comme modèle, percez 4 trous comme il est indiqué sur les schémas suivants.



- D. Fixez le cadre de montage au mur avec 4 vis.
- E. Accrochez le convertisseur sur le cadre de montage.
- F. Insérez les vis de verrou de sécurité sur la partie inférieure pour sécuriser le convertisseur.

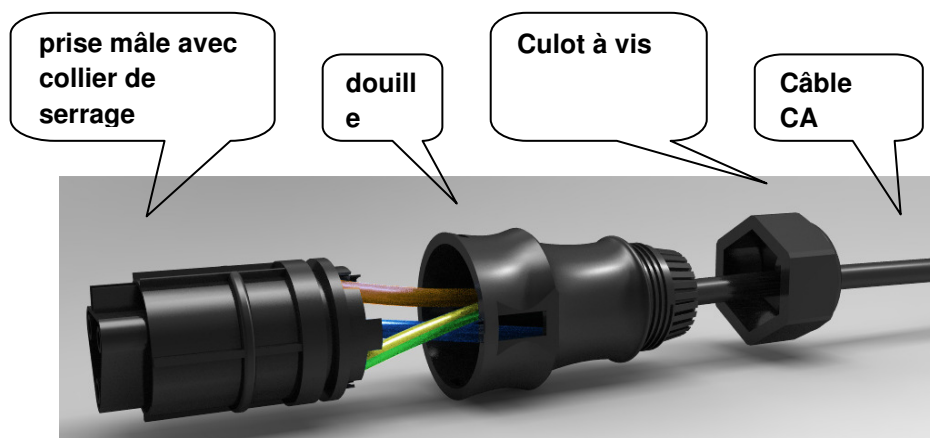


- G. Vérifiez que le convertisseur est solidement monté en essayant de l'élever depuis le bas. Le convertisseur devra être fermement fixé.

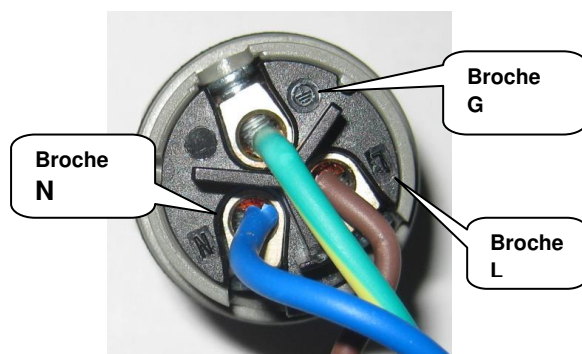
Quand le montage est terminé, le convertisseur peut être connecté.

2.3 Connecter le convertisseur au réseau électrique

- C. Installez une ligne CA séparée sur un disjoncteur spécifique depuis la boîte du disjoncteur vers le convertisseur solaire.
Ne pas raccorder d'autres appareils sur cette ligne!
Ouvrez le disjoncteur ou le fusible pour déconnecter la puissance de la ligne.
- D. Raccordez un câble réseau à la prise CA, comme il est décrit ci-après :



- Insérez le câble CA à travers le culot à vis de pression et la douille. Connectez les câbles conformément aux polarités indiquées sur le bloc de jonction. L→LIGNE (marron ou noir), N→Neutre (bleu) et G→système masse (jaune - vert).
- Fixez la plaque de presse étoupe avec des vis de fixation.
- Vissez la plaque de manière à ce que le câble soit fermement fixé.
- Insérez le câble de Ligne à la broche L, le câble Neutre à la broche N et le câble de masse à la broche G.



Taille de câble recommandée pour un câble CA

Modèle	Taille de câble minimale (mm ²)
BueSolar 1500	1,50
BueSolar 2000	2,50
BueSolar 2800	2,50
BueSolar 4000	4,00
BueSolar 5000	4,00

- C. Connectez le câble de réseau au convertisseur.
- D. Connectez le câble de réseau à la sortie de puissance spécifique.



Ne fermez pas le disjoncteur ou le fusible pendant le fonctionnement du convertisseur.

2.4 Connecter le convertisseur aux panneaux photovoltaïques

- A. Les connecteurs des panneaux photovoltaïques doivent être MC4 (Multi-Contact 4 mm)



Si plus d'une série PV est connectée aux modèles de convertisseur (pour les 2800, 4000 et 5000 W), assurez-vous qu'elles soient identiques. La tension totale du circuit ouvert et le courant de court-circuit doivent être égaux.

La connexion de ces prises aux câbles solaires doit être réalisée avec des outils spéciaux et par du personnel qualifié. Une connexion incorrecte peut provoquer des incendies. La plupart des panneaux solaires disposent de ces connecteurs déjà attachés aux câbles.

- B. La tension des panneaux photovoltaïques ne doit jamais dépasser la tension d'entrée maximale du convertisseur.



Blue Solar 1500 : Sous aucun prétexte, la tension de circuit ouvert du dispositif solaire (Voc) ne doit dépasser 450 V !
Blue Solar 2000 et 2800 : La Voc ne doit dépasser 500 V sous aucun prétexte !
Blue Solar 4000 et 5000 : La Voc ne doit dépasser 550 V sous aucun prétexte !
Le convertisseur sera endommagé de façon permanente si la Voc est trop élevée.



Notez que la Voc est à son niveau le plus élevé quand les panneaux solaires sont à la température locale la plus basse qui peut être espérée, et qu'ils ne transportent aucun courant (convertisseur débranché du réseau électrique), avec un ensoleillement maximal (1000 W/m²).

C. Vérifiez si la polarité des prises CC est correcte. Une connexion de polarité incorrecte peut endommager l'unité de façon permanente.

D. Connectez les bornes positive et négative du panneau PV aux bornes positives (+) et aux bornes négatives (-) sur le convertisseur. La puissance de courant nominal maximale des bornes CC est de 20 A.



Vérifiez que le courant de court-circuit du dispositif solaire est en dessous du courant d'entrée CC maximal du convertisseur.

Le convertisseur ne tirera pas plus de courant des panneaux que le maximum I PV (voir spécification). Si plus de courant est disponible depuis les panneaux, le convertisseur ne consommera pas ce courant/puissance extra. La puissance totale du système sera inférieure à celle attendue.

2.5 Démarrage du système

Quand les panneaux PV sont connectés et leur tension de sortie est supérieure à 100 VCC, mais le réseau CA n'est pas encore connecté, le message de l'écran LCD affiche les messages suivants : "MODÈLE= XkW"-> "En attente" -> "Réseau déconnecté". L'affichage répète "Déconnectez le réseau" et la LED rouge "Erreur" s'allume.

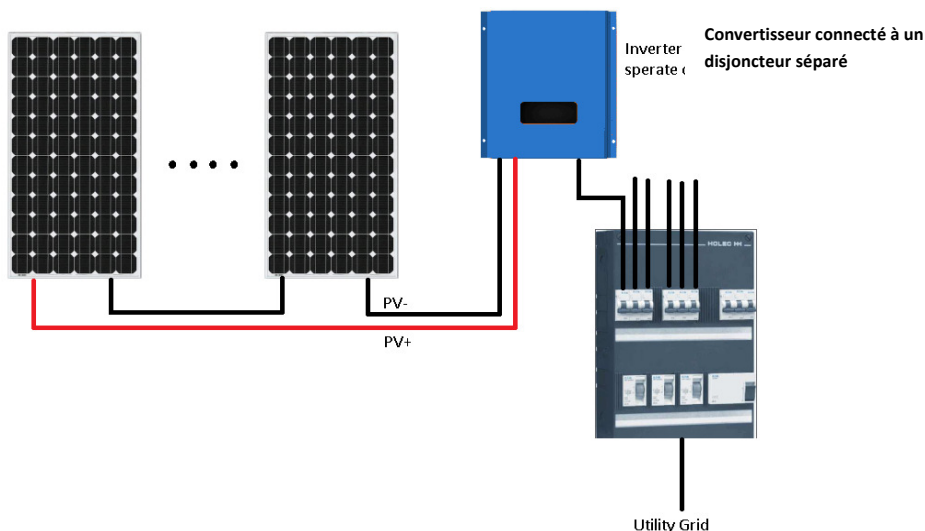
Fermez le disjoncteur ou le fusible CA entre le convertisseur PC et le réseau.

Si la tension et la fréquence du réseau se trouvent dans les limites, un compte à rebours démarrera (visible sur l'écran).

Quand le compte à rebours a atteint 0 s, le convertisseur se connectera au réseau et il délivrera l'énergie.

La LCD affiche "Pac=xxxx.xW" qui correspond à l'énergie transmise dans le réseau. La LED verte sera allumée, indiquant des conditions normales.

2.6 Schéma du système



3. MODES DE FONCTIONNEMENT

Il y a 5 modes de fonctionnement différents.

Mode Pause

Si la tension des panneaux photovoltaïques est < 100 VCC, le convertisseur dispose de la puissance suffisante pour démarrer le contrôleur interne, mais la tension est trop faible pour démarrer la conversion d'énergie.

Mode attente

Quand la tension des panneaux photovoltaïques est >100 VCC, le convertisseur passe en "état-attente" et il essaie de se connecter au réseau.

Mode normal

Sous ce mode, le convertisseur fonctionne normalement. Si la tension du panneau PV est suffisante (tension >150 VCC), le convertisseur convertit la puissance dans le réseau. En mode normal, la LED verte est allumée.

Mode Erreur

Le contrôleur interne surveille continuellement l'état du système. En cas de conditions anormales, comme les problèmes de réseau ou de défaillance interne, il affichera l'information sur son écran LCD et la LED rouge "Erreur" s'allumera.

Mode arrêt

Pendant les périodes faiblement ou pas du tout ensoleillées, le convertisseur s'arrêtera automatiquement. L'écran et les LED sur le devant du panneau ne marchent pas.

Séquence d'affichage du démarrage : Une fois que la puissance PV est suffisante, le convertisseur affichera les informations suivantes :

"Utilisateur : xxxx" → "Spéc:xxxx" → "Modèle :x.xkW" → "SW Version :xx.xx" → "Vérification xxS" → "État Normal" → "Pac=xxx.x W".

L'écran LCD de rétroéclairage s'éteindra automatiquement après 30 secondes pour économiser de l'énergie.

Écran LCD

La première ligne du LCD		
État	Contenu affichage	Remarque
État attente	Attente	Attente initiale
	Vérification xxS	Vérification du système
	Reconnexion en xxS	Vérification du système
	Attente	Tension PV réduite
État normal	Pac = xxxx.x W	Puissance de sortie convertisseur
État test automatique	Test automatique	Test automatique protection
État Erreur	Erreur xx Système	Erreur système
État permanent	Convertisseur xx Endommagé	Erreur convertisseur
État programme	En cours de programmation	Mise à jour logiciel

La seconde ligne du LCD		
Écran de cycle	Affichage temps /s	Remarque
User: xxxx	1	Type d'utilisateur
Spéc : xxxx	1	Le type spéc. de convertisseur
Modél:x.xkW	1	Le modèle du convertisseur
SW Version:xx.xx	1	La version du logiciel
Étotal : xxxkWh	2	L'énergie totale
Étoday : xx.xkWh	2	L'énergie d'aujourd'hui
Ttoday:xxhxxmin	2	Heures de fonctionnement aujourd'hui
PV :xxxV BUS :xxxV	2	La tension PV et Bus
AC:xxxV xx.xHz	2	La tension et fréquence de réseau

4. RÉOLUTION DE PROBLÈMES

En cas de défaut de fonctionnement/ défaillance du système, la LED rouge (Erreur) sur le panneau frontal s'allume et l'écran LCD affiche la cause du problème.

Veuillez consulter le tableau suivant pour la liste de tous les avertissements possibles sur l'écran LCD.

Attention :	Grid V Fault (erreur de tension du réseau)
Explication :	La tension du réseau électrique est trop haute ou trop basse.
Mesure :	Vérifiez la tension du réseau sur l'écran. Attendez 5 minutes. Si la tension du réseau redevient normale, le convertisseur redémarrera automatiquement. Si la tension augmente et devient trop élevée pendant le démarrage du convertisseur, cela peut vouloir dire que la connexion au réseau offre trop de résistance, ou que les raccordements sont mauvais. Il est possible de surveiller la tension du réseau avec un logiciel d'enregistrement de données fourni avec votre convertisseur. Une tension de réseau qui augmente de plus de 10 V quand le convertisseur passe de 0 W à la pleine puissance de sortie, indique un réseau électrique ayant une impédance élevée.
Attention :	Grid F Fault
Explication :	La fréquence du réseau électrique est trop haute ou trop basse.
Mesure :	Vérifiez la fréquence du réseau sur l'écran. Attendez 5 minutes. Si la fréquence du réseau redevient normale, le convertisseur redémarrera automatiquement. Si la fréquence du réseau ne se trouve toujours pas dans les limites de ce convertisseur, appelez un électricien.
Attention :	Disconnected Grid
Explication :	Aucune tension de réseau n'est présente dans le convertisseur.
Mesure :	Vérifiez que le fusible ou le disjoncteur pour le convertisseur solaire dans la boîte à fusibles est fermé. Si le disjoncteur ou le fusible est fermé, appelez les services de dépannage.
Attention :	High PV Voltage
Explication :	La tension provenant des panneaux solaires est trop élevée.
Mesure :	Vérifiez la valeur sur l'écran LCD qui fait référence à la tension PV (PV:xxxV). Si cette valeur est proche ou supérieure à la valeur indiquée dans les spécifications de "Tension d'entrée max.", ouvrez le disjoncteur et ensuite, enlevez immédiatement tous les câbles du convertisseur PV ! Appelez les services de dépannage. Votre convertisseur PV sera endommagé si aucune mesure n'est prise.
Attention :	High Temperature
Explication :	La température du convertisseur est trop élevée.
Mesure :	Vérifiez si la température ambiante du convertisseur n'est pas trop élevée. Vérifiez si le convertisseur est installé conformément aux spécifications, et qu'il y a suffisamment d'espace autour du convertisseur pour la convection. Vérifiez que le boîtier noir de refroidissement derrière le convertisseur est propre, et qu'il n'y a aucune obstruction. Si le problème persiste, appelez les services de dépannage.
Attention :	Not Consistent
Explication :	Les deux microcontrôleurs dans le convertisseur présentent des données contradictoires.
Mesure :	Appelez les services de dépannage.
Attention :	Eeprom damaged
Explication :	La mémoire Eeprom du convertisseur est endommagée.
Mesure :	Appelez les services de dépannage.
Attention :	Low Isolation
Explication :	Pendant son démarrage, le convertisseur mesure l'isolation électrique entre les panneaux solaires pour une protection par mise à la terre/masse. Si l'isolation n'est pas suffisante, le convertisseur ne démarrera pas pour éviter des situations dangereuses.
Mesure :	Ouvrez le disjoncteur, et ensuite débranchez les prises CC du convertisseur pendant 5 minutes. Après 5 minutes, rebranchez les prises CC et fermez le disjoncteur CA.

EN

FR

DE

ES

IT

SE

Appendix

Attention :	High ground I
Explication :	Le différentiel GFCI est actif à cause d'un défaut de courant depuis les parties sous tension vers la terre. Le convertisseur s'éteindra.
Mesure :	Ouvrez le disjoncteur, et ensuite débranchez les prises CC du convertisseur pendant 5 minutes. Après 5 minutes, rebranchez les prises CC et fermez le disjoncteur CA. Si le problème persiste, appelez les services de dépannage.
Attention :	Please Iniciate
Explication :	Le convertisseur n'a pas été démarré pour la première fois à l'usine.
Mesure :	Appelez les services de dépannage
Attention :	GFCI Damaged
Explication :	L'unité de protection différentielle est endommagée.
Mesure :	Appelez les services de dépannage
Attention :	Sensor Damaged
Explication :	La sonde du courant CC du convertisseur est endommagée.
Mesure :	Appelez les services de dépannage
Attention :	SCI damaged
Explication :	La communication entre les deux microcontrôleurs dans le convertisseur a échoué.
Mesure :	Appelez les services de dépannage
Attention :	High DC INJ
Explication :	En général, le convertisseur injecte du courant CA dans le réseau électrique. Lorsque l'avertissement "high DC INJ" est affiché, cela signifie que pour une raison quelconque, l'injection de courant CC dans le réseau est supérieure à ce qui est admis, et le convertisseur s'éteindra.
Mesure :	Ouvrez le disjoncteur, et ensuite débranchez les prises CC du convertisseur pendant 5 minutes. Après 5 minutes, rebranchez les prises CC et fermez le disjoncteur CA. Si le problème persiste, appelez les services de dépannage.
Attention :	High Bus Voltage
Explication :	La tension-bus intérieure est trop élevée.
Mesure :	Ouvrez le disjoncteur, et ensuite débranchez les prises CC du convertisseur pendant 5 minutes. Après 5 minutes, ne rebranchez que les prises CC (ne fermez pas le disjoncteur !). L'avertissement "Tension-bus élevée" est-il visible à l'écran ? Oui → la tension provenant des panneaux solaires est trop élevée ou il y a une défaillance interne (Appelez les services de dépannage). Non → fermez le disjoncteur et attendez que le convertisseur se reconnecte au réseau. Si l'avertissement "Tension Bus élevée" s'affiche à nouveau après la reconnexion au réseau, le problème provient sûrement du réseau. (Appelez un électricien).
Attention :	Relay Damaged
Explication :	Les relais internes utilisés pour connecter le convertisseur au réseau sont endommagés.
Mesure :	Ouvrez le disjoncteur. Appelez les services de dépannage
Attention :	Auto test failed
Explication :	Le test automatique du convertisseur a échoué. Il y a une défaillance interne.
Mesure :	Ouvrez le disjoncteur, et ensuite débranchez les prises CC du convertisseur pendant 5 minutes. Après 5 minutes, rebranchez les prises CC et fermez le disjoncteur CA. Si le problème persiste, appelez les services de dépannage.
Attention :	2.5V Ref Fault
Explication :	La référence de tension interne du convertisseur est défaillante.
Mesure :	Appelez les services de dépannage.
Attention :	Rien n'est visible à l'écran.
Explication :	
Mesure :	La puissance de l'écran provient des panneaux solaires. Vérifiez que les prises CC soient solidement branchées au convertisseur. Si l'ensoleillement est suffisant et que l'écran ne donne aucune indication/valeur, appelez les services de dépannage.

5. SPÉCIFICATIONS

Convertisseur de réseau BlueSolar	1500	2000	2800	4000	5000
SORTIE RÉSEAU (CA)					
Puissance de sortie nominale	1500 W	2000 W	2800 W	4000 W	5000 W
Puissance de sortie maximale	1650 W	2200 W	3000 W	4400 W	5500 W
Courant de sortie nominal	6,52 A	8,7 A	12 A	17,5 A	22 A
Courant de sortie maximale	7,2 A	9,5 A	13 A	19 A	24 A
Protection fusible maximale	16 A	16 A	16 A	25 A	25 A
Distorsion harmonique du courant de sortie	<3 % à puissance nominale		<5 % à 50 % de puissance		
Tension de sortie CA nominale	220 V - 230 V - 240 V				
Facteur de puissance	>0,99 % à puissance nominale				
Gamme de tension CA de fonctionnement	190-260 V				
Fréquence nominale CA	50 Hz				
Gamme de fréquence CA de fonctionnement	45,5-54,5 Hz				
Consommation interne pendant la nuit	<0,1 W				
Résiste aux courts-circuits	Oui				
ENTRÉE SOLAIRE (CC)					
Tension d'entrée maximale	450 V	500 V	500 V	550 V	550 V
Gamme MPPT Tension d'entrée	110-430 V	110-480 V	110-480 V	110-530 V	110-530 V
Courant d'entrée maximal	9 A	10 A	13 A	18 A	20 A
Puissance d'entrée maximale	1750 W	2280 W	3160 W	4500 W	5200 W
Nombre de traceurs MPPT	1	1	1	1	1
Nombre de séries	1	1	2	4	4
Puissance de démarrage	7 W	7 W	7 W	10 W	10 W
Surveillance erreur de masse	RCMU (residual current monitoring unit - Unité de surveillance de courant résiduel)				
Protection contre la polarité inversée	Oui, avec une diode de court-circuit				
EFFICACITÉ					
Efficacité maximale	95,5%	96,4%	96,4%	97,6%	97,8%
Efficacité standard européenne	94,5%	95,4%	95,5%	96,7%	96,9%
GÉNÉRAL					
Topologie	Sans transformateur				
Port de communication	RS232				
Plage de température de fonctionnement	-20°C à 60°C (limite de puissance automatique en cas de surchauffe interne)				
Gamme de température de puissance nominale	-20°C à 55°C				
Plage de température de stockage	-20°C à 70°C				
Altitude maximale de fonctionnement	2000 m (5 % de réduction à 4000 m)				
Méthode de refroidissement	Convection naturelle				
Humidité relative	Maxi 95 %				
BOÎTIER					
Degré de protection	IP54				
Connecteurs CC	MC4 (Multi Contact 4 mm)				
Poids (kg)	14,8 kg	14,8 kg	14,8 kg	20,7 kg	20,7 kg
Dimensions (HxLxP en mm)	376 x 415 x 125	376 x 415 x 125	376 x 415 x 125	368 x 475 x 195	368 x 475 x 195
NORMES					
Sécurité	EN 50178				
EMC, Émission	EN 61000-6-3				
EMC, Immunité	EN 61000-6-2				
EMC, Harmoniques et Fluctuations	EN 61000-3-2, EN 61000-3-3				
Déconnexion automatique du réseau	VDE 0126-1-1				

EN

FR

DE

ES

IT

SE

Appendix

Vorbereitung

Dieses Handbuch enthält wichtige Informationen bezüglich der Installation und dem sicheren Betrieb dieses Gerätes. Bitte lesen Sie dieses Handbuch vor Inbetriebnahme sorgfältig.

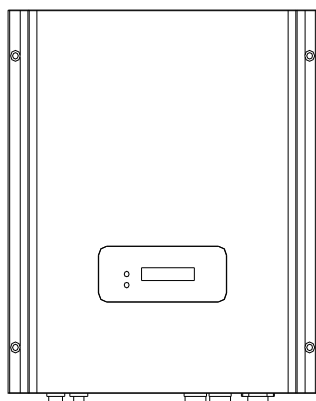
Die BlueSolar netzgekoppelten Solar-Wechselrichter sind professionelle Produkte und dürfen nur von Fachpersonal installiert werden. Bitte beachten Sie hierzu auch die Sicherheitshinweise.

Im Inneren des Wechselrichters sind hohe Spannungen vorhanden, die lebensgefährlich sind.

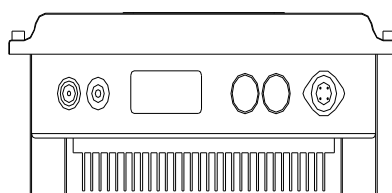
Sollten Sie bei der Installation bzw. dem Betrieb dieses Gerätes auf Probleme stoßen, schlagen Sie zunächst in diesem Handbuch nach und wenden sich dann bei Bedarf an Ihren örtlichen Händler bzw. Victron Energy-Vertreter. Die Anweisungen in diesem Handbuch werden Ihnen bei der Lösung der meisten Installations- und Betriebsprobleme helfen.

1. Inhalt

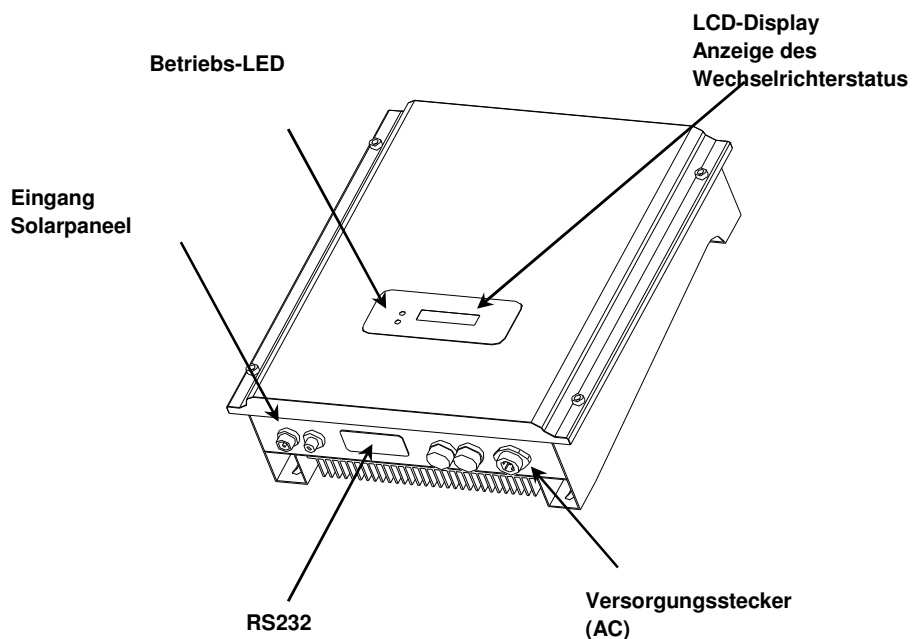
Übersicht über BlueSolar 1500, 2000 und 2800



Frontansicht



Ansicht von unten



EN

FR

DE

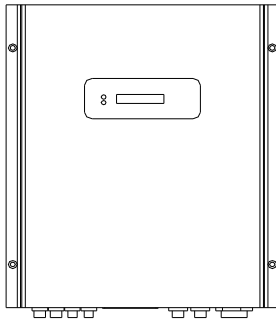
ES

IT

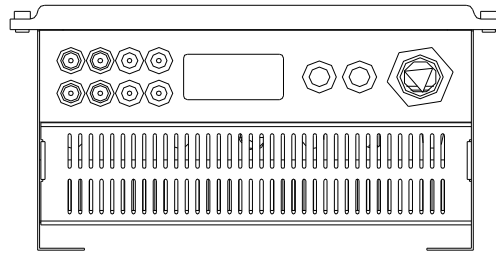
SE

Appendix

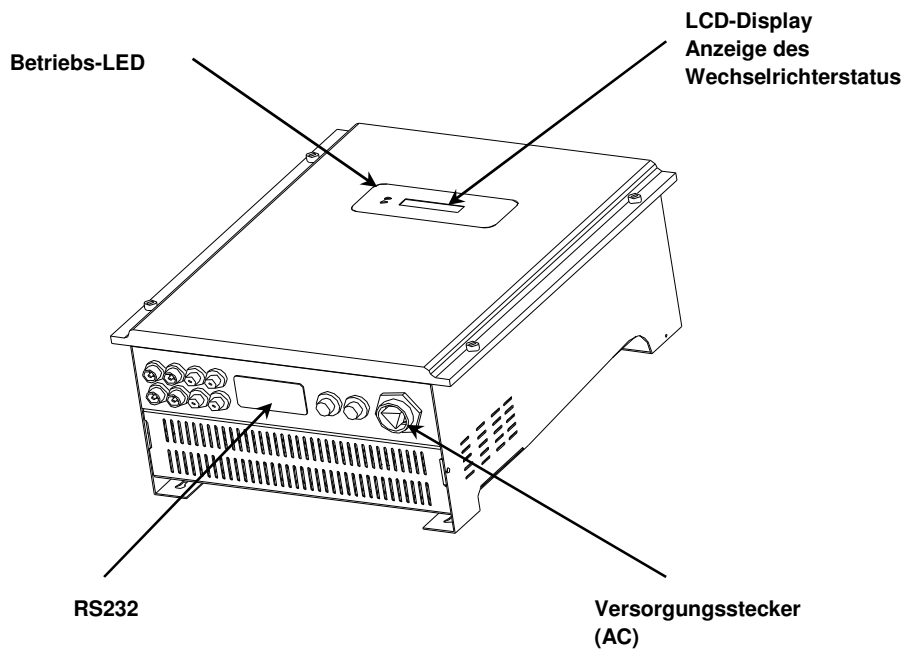
Übersicht über BlueSolar 4000 und 5000



Frontansicht



Ansicht von unten



Packungsinhalt

Bitte überprüfen Sie nach dem Öffnen die Vollständigkeit des Packungsinhalts. Folgende Bestandteile sollten vorhanden sein:

Teil	Bezeichnung	Anzahl
1	BlueSolar Wechselrichter	1
2	Montagerahmen	1
3	Befestigungsschrauben	4
4	Sicherungsschrauben	2
5	AC-Buchsen-Montagematerial	1
6	Handbuch	1

2. INSTALLATION

2.1 Sicherheitshinweise



Die Solarpaneele und Kabel müssen der Schutzklasse II entsprechen.



Trennen Sie die DC-Kabel nicht ab, solange der Wechselrichter an das Versorgungsnetz angeschlossen ist!
Gleichstrombögen beschädigen die Stecker und können schwere Verbrennungen sowie Brandgefahr zur Folge haben.



Die Installation des Wechselrichters hat durch Fachpersonal zu erfolgen.
Dieser Wechselrichter ist im Sicherungskasten an eine separate Sicherung anzuschließen. Kein anderes Haushaltsgerät darf an diese Sicherung angeschlossen sein.



Den Wechselrichter nicht öffnen!
Die Hochspannung im Inneren des Wechselrichters ist lebensgefährlich.
Selbst nachdem das Gerät vom Netz und von den Photovoltaik-Paneeelen getrennt wurde, kann im Inneren des PV-Wechselrichters noch Hochspannung vorhanden sein.



Einige Teile und Oberflächen des Wechselrichters können während des Betriebes heiß werden. Um Verletzungen zu vermeiden, dürfen der Kühlkörper an der Rückseite des PV-Wechselrichters oder umliegende Oberflächen während des Wechselrichterbetriebes nicht berührt werden.



Der Wechselrichter darf nicht in der Nähe von explosiven Dämpfen oder leicht entzündlichen Gegenständen installiert werden.



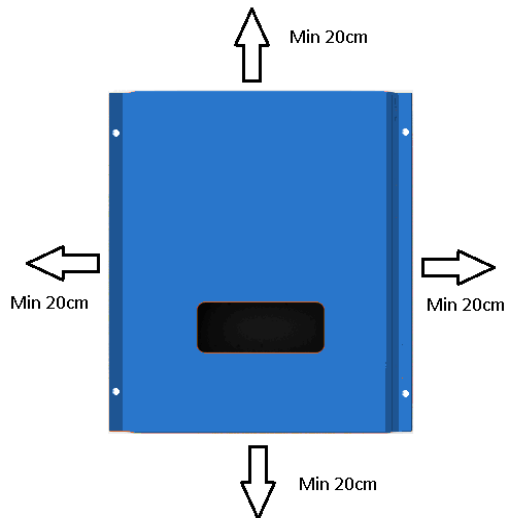
Dieses Gerät ist für den Gebrauch im Außenbereich geeignet (IP65).

Der Wechselrichter darf nicht direktem Sonnenlicht ausgesetzt werden.
Direktes Sonnenlicht erhöht die Innentemperatur, wodurch der Umwandlungsgrad verringert werden kann.

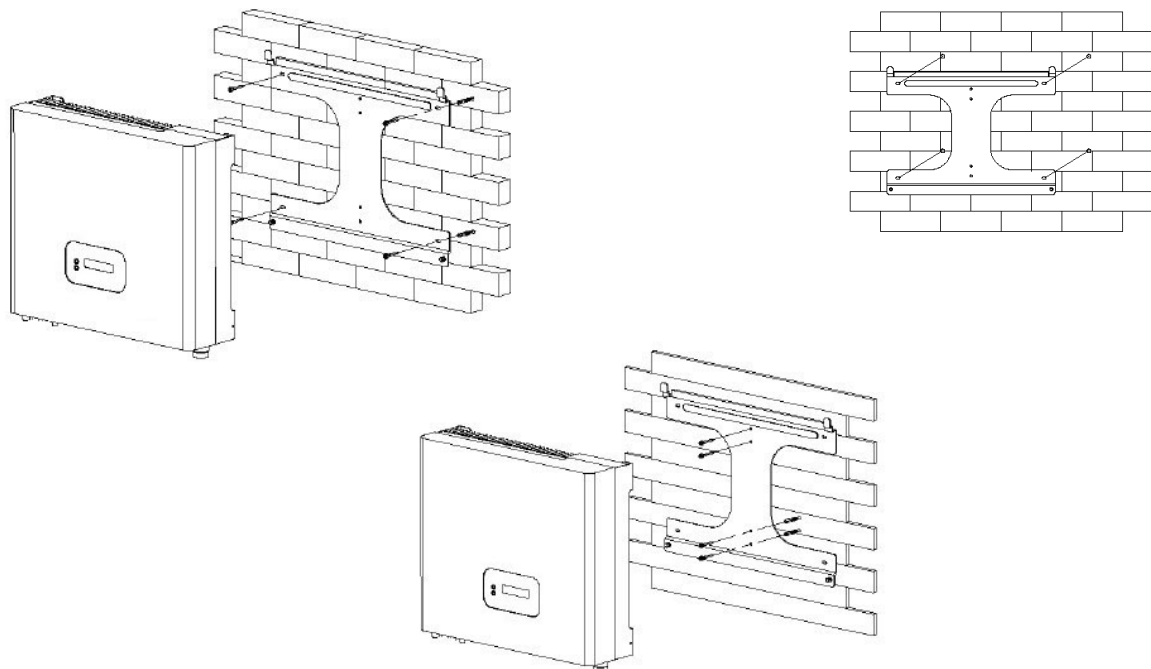
Der Wechselrichter darf nicht Regen ausgesetzt werden.
Direkter Kontakt mit Regen kann im Laufe der Zeit zur Erhöhung des Feuchtigkeitsgrades im Produkt führen und schließlich den Ausfall des Gerätes zur Folge haben.

2.2 Montageanleitung

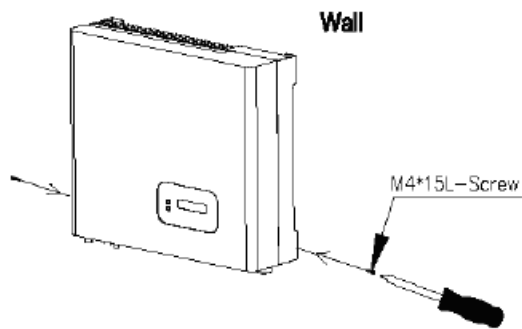
- A. Wählen Sie eine Wand bzw. eine feste vertikale Oberfläche, die den Wechselrichter tragen kann.
- B. Der Wechselrichter nutzt zur Kühlung Naturkonvektion. Lassen Sie über, unter und an den Seiten des Wechselrichters mindestens 20 cm Platz.



- C. Verwenden Sie den Montagerahmen als Schablone und bohren Sie wie in den folgenden Abbildungen gezeigt 4 Löcher.



- D. Befestigen Sie den Montagerahmen mit den 4 Schrauben an der Wand.
- E. Hängen Sie den Wechselrichter an den Montagerahmen.
- F. Führen Sie die Sicherungsschrauben an der Unterseite ein und befestigen Sie den Wechselrichter.

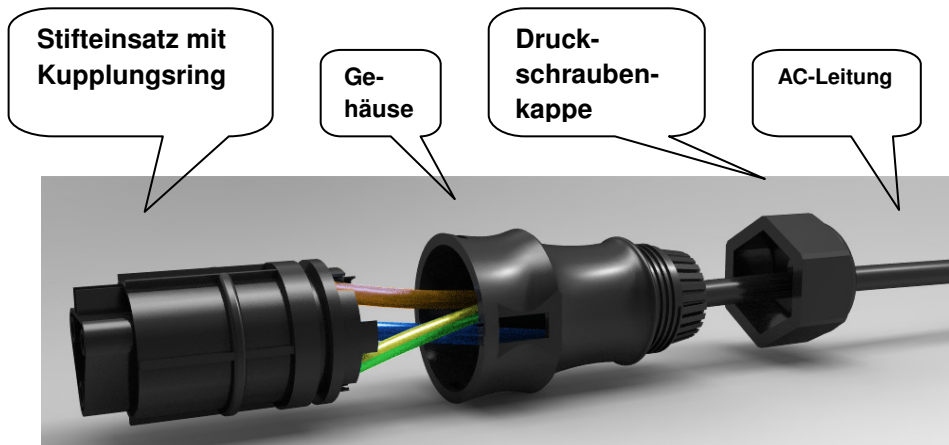


- G. Überprüfen Sie die sichere Montage des Wechselrichters, indem Sie versuchen, ihn anzuheben. Der Wechselrichter darf sich dabei nicht bewegen.

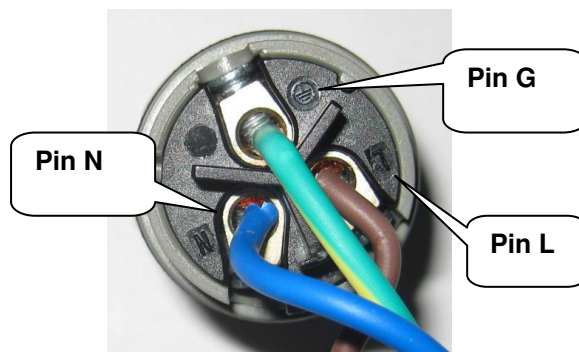
Nach Abschluss der Montage kann der Wechselrichter angeschlossen werden.

2.3 Anschluss des Wechselrichters an das öffentliche Stromnetz

- E. Installieren Sie eine separate AC-Leitung an einem dafür vorgesehenen Trennschalter vom Sicherungskasten zum Solar-Wechselrichter.
Es dürfen keine anderen Geräte mit dieser Leitung verbunden sein!
Öffnen Sie den Trennschalter bzw. die Sicherung, um den Strom zu dieser Leitung zu unterbrechen.
- F. Verbinden Sie wie unten beschrieben ein Netzanschlusskabel mit dem AC-Stecker:



- Führen Sie die Wechselstromleitung durch die Druckschraubenkappe und das Gehäuse. Verbinden Sie die Leitungen entsprechend der an der Klemmleiste angegebenen Polaritäten. L→PHASE (braun oder schwarz), N→Neutralleiter (blau) und G→Betriebserde (gelb-grün).
- Befestigen Sie die Kabeleinführungsplatte mit den dazugehörigen Schrauben.
- Drehen Sie die Kabeleinführung so, dass das Kabel sicher befestigt ist.
- Führen Sie den Phasenleiter in Pin L, den Neutralleiter in Pin N und den Betriebserdenleiter in Pin G ein.



Empfohlene Leitungsgröße für Wechselstromleitung

Modell	Mindestgröße Leitung (mm ²)
BlueSolar 1500	1,50
BlueSolar 2000	2,50
BlueSolar 2800	2,50
BlueSolar 4000	4,00
BlueSolar 5000	4,00

- C. Schließen Sie das Netzanschlusskabel an den Wechselrichter an.
- D. Verbinden Sie das Netzkabel mit der dafür vorgesehenen Steckdose.



Schließen Sie den Stromkreisunterbrecher bzw. die Sicherung nicht, während an dem Wechselrichter gearbeitet wird.

2.4 Anschluss des Wechselrichters an die Photovoltaik-Paneele

- A. Bei den Steckern von den Photovoltaik-Paneeelen sollte es sich um MC4-Stecker handeln (Multi-Contact 4mm).



Sollten mehr als nur ein PV-Strang an den Wechselrichter angeschlossen sein (für die 2800, 4000 und 5000W Modelle), ist sicherzustellen, dass diese Stränge identisch sind. Die totale Leerspannung und der Kurzschlussstrom müssen gleich sein.

Für den Anschluss dieser Stecker an die Solar-Kabel ist spezielles Werkzeug erforderlich. Dieser Anschluss ist nur durch Fachpersonal durchzuführen.

Ein falscher Anschluss kann ein Feuer zur Folge haben.

Bei den meisten Solarpaneelen sind diese Stecker schon mit den Kabeln verbunden.

- B. Die Spannung der Photovoltaik-Paneele darf niemals die maximale Eingangsspannung des Wechselrichters überschreiten.



Blue Solar 1500: Die Leerspannung der Solaranlage (Voc) darf unter keinen Umständen den Wert von 450 V überschreiten!

Blue Solar 2000 und 2800: Der Voc-Wert darf unter keinen Umständen 500 V überschreiten!

Blue Solar 4000 und 5000: Der Voc-Wert darf unter keinen Umständen 550 V überschreiten!

Der Wechselrichter wird bei Überschreitung des Voc-Wertes dauerhaft beschädigt.



Bitte beachten Sie, dass die Voc am höchsten ist, wenn die Solar-Paneele sich in der geringsten zu erwartende Ortstemperatur befinden und keinen Strom führen (der Wechselrichter ist vom öffentlichen Stromnetz getrennt), bei maximalem Sonnenlicht (1000 W/m²).

C. Überprüfen Sie die korrekte Polarität der DC-Stecker. Ein fehlerhafter Anschluss kann das Gerät dauerhaft beschädigen.

D. Verbinden Sie die positiven und negativen Anschlüsse des PV-Paneels mit den positiven (+) Anschlüssen und den negativen (-) Anschlüssen des Wechselrichters. Der maximale Nennstrom von DC-Anschlüssen liegt bei 20 A.



Überprüfen Sie, dass der Kurzschlussstrom der Solaranlage unter dem maximalen DC-Eingangsstrom des Wechselrichters liegt.

Der Wechselrichter wird nicht mehr Strom von den Paneelen aufnehmen als $I_{PV\ max}$ (siehe Beschreibung). Steht bei den Paneelen mehr Strom zur Verfügung, verbraucht der Wechselrichter diesen zusätzlichen Strom/diese zusätzliche Energie nicht. Die gesamte Systemleistung ist dann geringer als erwartet.

2.5 Inbetriebnahme des Systems

Nachdem die PV-Paneele angeschlossen wurden und deren Ausgangsspannung bei über 100 VDC liegt, das Wechselstromnetz jedoch noch nicht verbunden wurde, erscheint auf dem LCD-Display folgende Nachricht: "MODEL= XkW"-> "Waiting" -> "Disconnect grid". (Warten - Netz getrennt). Die Anzeige "Disconnect grid" wird wiederholt und die rote LED "Fault" (Fehler) leuchtet.

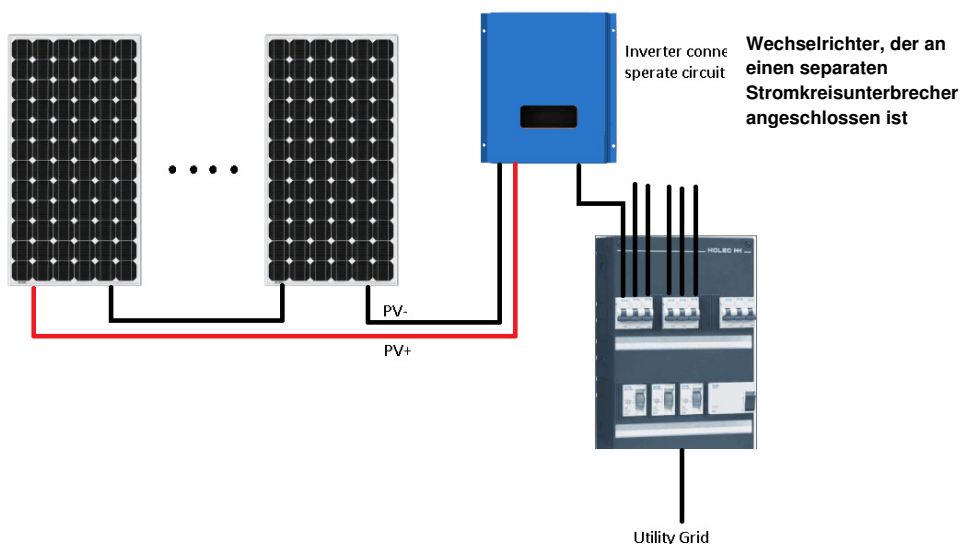
Schließen Sie den AC-Stromkreisunterbrecher bzw. die Sicherung zwischen dem PV-Wechselrichter und dem Stromnetz.

Befinden sich die Netzspannung und Frequenz innerhalb der Grenzwerte, beginnt ein Countdown (wird auf dem Display angezeigt).

Erreicht der Countdown 0s, verbindet sich der Wechselrichter mit dem Stromnetz und liefert Energie.

Auf dem LCD-Display erscheint "Pac=xxxx.xW". Das ist die Energie, die in das Stromnetz eingespeist wird. Die grüne LED leuchtet, um den Normalbetrieb anzuzeigen.

2.6 Systemdiagramm



3. BETRIEBSMODI

Es gibt 5 verschiedene Betriebsmodi.

Standby-Modus

Wenn die Spannung vom Photovoltaik-Paneel bei einem Wert <100 VDC liegt, verfügt der Wechselrichter gerade über ausreichend Energie, um den internen Regler in Betrieb zu nehmen. Die Spannung ist jedoch zu gering, um mit der Energieumwandlung zu beginnen.

Warte-Modus

Wenn die Spannung vom Photovoltaik-Paneel bei einem Wert >100 VDC liegt, schaltet der Wechselrichter in einen "Warte-Zustand" und versucht, eine Verbindung mit dem Stromnetz herzustellen.

Normaler Modus

In diesem Modus arbeitet der Wechselrichter normal. Immer, wenn genügend Spannung von den PV-Paneelen vorhanden ist (Spannungswert >150 VDC), wandelt der Wechselrichter Energie um und speist sie in das Stromnetz ein. In diesem Modus leuchtet die grüne LED.

Fehler-Modus

Der interne Regler überwacht permanent den Systemstatus. Beim Auftreten unerwarteter Bedingungen wie Netzprobleme oder interne Fehler zeigt er diese Informationen auf dem LCD-Display an und die rote "Fehler"-LED leuchtet.

Abschalt-Modus

Bei Phasen mit geringem oder gar keinem Sonnenlicht, schaltet sich der Wechselrichter automatisch aus. Das Display und die LEDs am vorderen Paneel sind aus.

Abfolge der Display-Anzeigen bei Inbetriebnahme: Nachdem wieder ausreichend PV-Energie vorhanden ist, zeigt das Wechselrichter-Display folgende Informationen an:

"User: xxxx" → "Spec:xxxx" → "Model:x.xkW" → "SW Version :xx.xx" → "Checking xxS" → "Normal State" → "Pac= xxx.x W".

Die Hintergrundbeleuchtung des LCD-Displays schaltet sich nach 30 Sekunden automatisch aus, um Strom zu sparen.

LCD-Display

Die erste Zeile des Displays		
Status	Anzeige	Anmerkung
Warte-Status	Waiting	Anfängliches Warten
	Checking xxS	Systemüberprüfung
	Reconnect in xxS	Systemüberprüfung
	Standby	PV-Spannung zu gering
Normalmodus	Pac = xxxx.x W	Ausgangsleistung des
Automat. Prüfstatus	Auto testing	Automat. Schutzprüfung
Fehlerstatus	System xx Fault	Systemfehler
Permanenter Status	Inverter xx Damaged	Wechselrichterfehler
Programmstatus	Programing	Software-Update

Die zweite Zeile des Displays		
zyklische Anzeige	Anzeigezeit/s	Anmerkung
User: xxxx	1	Die Nutzerart
Spec: xxxx	1	Der spezielle Typ des
Model:x.xkW	1	Das Wechselrichtermodell
SW Version:xx.xx	1	Software-Version
Ettotal: xxxkWh	2	Der Gesamtbetrag der Energie
Etoday: xx.xkWh	2	Der Tageswert der Energie
Ttoday:xxhxxmin	2	Die Betriebsstunden an diesem
PV:xxxV BUS:xxxV	2	Die PV- und Bus- Spannung
AC:xxxV xx.xHz	2	Die Netzspannung und Frequenz

4. PROBLEMBEHANDLUNG

Im Falle einer Fehlfunktion/eines Systemausfalls leuchtet die rote (Fehler) LED an der Vorderseite des Paneels und das LCD-Display zeigt die Ursache des Problems an.

In der folgenden Tabelle finden Sie eine Auflistung aller möglichen LCD-Warmmeldungen.

Warmmeldung:	Grid V Fault
Erklärung:	Die Netzspannung ist zu hoch oder zu niedrig.
Maßnahme:	Überprüfen Sie die Netz-Spannung auf dem Display. Warten Sie 5 Minuten. Ist die Netzspannung wieder normal, startet der Wechselrichter automatisch neu. Wenn die Spannung steigt und zu hoch wird, wenn der Wechselrichter in Betrieb genommen wird, bedeutet das möglicherweise, dass beim Netzanschluss ein zu hoher Widerstand bzw. nicht ordnungsgemäß ausgeführte Anschlüsse vorhanden sind. Die Netzspannung lässt sich mit der Software zur Datenerfassung, die mit Ihrem Wechselrichter geliefert wird, überwachen. Eine Netzspannung, die mit mehr als 10 V ansteigt, wenn der Wechselrichter von 0 W auf volle Ausgangsleistung geht, ist ein Hinweis auf ein hochohmiges Stromnetzwerk.
Warmmeldung:	Grid F Fault
Erklärung:	Die Netz-Frequenz ist zu hoch oder zu niedrig.
Maßnahme:	Überprüfen Sie die Netz-Frequenz auf dem Display. Warten Sie 5 Minuten. Ist die Netz-Frequenz wieder normal, startet der Wechselrichter automatisch neu. Liegt die Netz-Frequenz noch immer außerhalb der Grenzwerte dieses Wechselrichters, wenden Sie sich an einen Elektriker.
Warmmeldung:	Disconnected grid
Erklärung:	Es liegt keine Netzspannung am Wechselrichter an.
Maßnahme:	Überprüfen Sie, ob die Sicherung bzw. der Stromkreisunterbrecher für den Solar-Wechselrichter im Sicherungskasten geschlossen ist. Sollte der Stromkreisunterbrecher bzw. die Sicherung geschlossen sein, rufen Sie bitte den Wartungsdienst an.
Warmmeldung:	High PV Voltage
Erklärung:	Die Spannung, die von den Solar-Paneeelen kommt, ist zu hoch.
Maßnahme:	Überprüfen Sie den Wert auf dem LCD-Display, der sich auf die PV-Spannung bezieht, (PV:xxxV). Liegt dieser Wert in der Nähe des Wertes, der in der Beschreibung als "Maximale Eingangsspannung" angegeben wird oder überschreitet er diesen, öffnen Sie sofort den Stromkreisunterbrecher und entfernen Sie sämtliche Kabel vom PV-Wechselrichter! Rufen Sie den Wartungsdienst. Ihr PV-Wechselrichter erleidet einen Schaden, wenn nichts unternommen wird.
Warmmeldung:	High Temperature (Temperatur hoch)
Erklärung:	Die Temperatur des Wechselrichters ist zu hoch.
Maßnahme:	Stellen Sie sicher, dass die Umgebungstemperatur des Wechselrichters nicht zu hoch ist. Stellen Sie sicher, dass der Wechselrichter entsprechend der Angaben montiert wurde und rund um den Wechselrichter ausreichend Platz zur Konvektion vorhanden ist. Überprüfen Sie, ob die schwarze Kühlklammer hinter dem Wechselrichter sauber ist und keine Hindernisse vorhanden sind. Sollte das Problem weiter bestehen wenden Sie sich bitte an den Kundendienst.
Warmmeldung:	Not Consistent
Erklärung:	Die beiden Mikrocontroller des Wechselrichters liefern widersprüchliche Angaben.
Maßnahme:	Rufen Sie den Kundendienst an.
Warmmeldung:	Eeprom damaged
Erklärung:	Der Eeprom-Speicher im Wechselrichter ist beschädigt.
Maßnahme:	Rufen Sie den Kundendienst an.

Warnmeldung:	Low Isolation
Erklärung:	Während der Inbetriebnahme misst der Wechselrichter die Elektroisolation zwischen den Solar-Paneelen und dem Schutzleiter/der Schutz Erde. Ist diese Isolation ungenügend, schaltet sich der Wechselrichter nicht ein, um eine Gefahrensituation zu vermeiden.
Maßnahme:	Öffnen Sie den Stromkreisunterbrecher. Dann entfernen Sie für 5 Minuten die DC-Stecker vom Wechselrichter. Nach 5 Minuten verbinden Sie die DC-Stecker wieder und schließen den AC-

EN

FR

DE

ES

IT

SE

Appendix

Warnmeldung:	High ground I
Erklärung:	Der GFCI (Erdchlussunterbrecher) ist aufgrund eines Fehlerstroms von unter Strom stehenden Teilen zur Erde aktiv. Der Wechselrichter schaltet sich ab.
Maßnahme:	Öffnen Sie den Stromkreisunterbrecher. Dann entfernen Sie für 5 Minuten die DC-Stecker vom Wechselrichter. Nach 5 Minuten verbinden Sie die DC-Stecker wieder und schließen den AC-Stromkreisunterbrecher. Sollte das Problem weiter bestehen wenden Sie sich bitte an den Kundendienst.
Warnmeldung:	Please Initiate
Erklärung:	In der Fabrik ist keine erstmalige Inbetriebnahme erfolgt.
Maßnahme:	Rufen Sie den Kundendienst an.
Warnmeldung:	GFCI Damaged
Erklärung:	Die GFCI-Schutzeinheit ist beschädigt.
Maßnahme:	Rufen Sie den Kundendienst an.
Warnmeldung:	Sensor Damaged
Erklärung:	Der Gleichstrom-Sensor im Wechselrichter ist beschädigt.
Maßnahme:	Rufen Sie den Kundendienst an.
Warnmeldung:	SCI damaged
Erklärung:	Die Kommunikation zwischen den beiden Mikrokontrollern des Wechselrichters ist gescheitert.
Maßnahme:	Rufen Sie den Kundendienst an.
Warnmeldung:	High DC INJ
Erklärung:	Normalerweise speist der Wechselrichter Wechselstrom in das öffentliche Stromnetz ein. Erscheint die Warnmeldung "high DC INJ", ist aus irgendeinem Grund die Einspeisung des Gleichstroms in das Netz zu hoch und der Wechselrichter schaltet sich ab.
Maßnahme:	Öffnen Sie den Stromkreisunterbrecher. Dann entfernen Sie für 5 Minuten die DC-Stecker vom Wechselrichter. Nach 5 Minuten verbinden Sie die DC-Stecker wieder und schließen den AC-Stromkreisunterbrecher. Sollte das Problem weiter bestehen wenden Sie sich bitte an den Kundendienst.
Warnmeldung:	High Bus Voltage
Erklärung:	Die interne BUS-Spannung ist zu hoch.
Maßnahme:	Öffnen Sie den Stromkreisunterbrecher. Dann entfernen Sie für 5 Minuten die DC-Stecker vom Wechselrichter. Verbinden Sie nach 5 Minuten nur die DC-Stecker erneut (schließen Sie nicht den Stromkreisunterbrecher!). Erscheint die Warnmeldung "High Bus Voltage" auf dem Display? Ja → Die Spannung von den Solar-Paneelen ist zu hoch oder es ist ein interner Fehler vorhanden (Wenden Sie sich bitte an den Kundendienst). Nein → Schließen Sie den Stromkreisunterbrecher und warten Sie, bis der Wechselrichter sich wieder mit dem Netz verbindet. Sollte die Warnmeldung "High Bus Voltage" nach dem erneuten Anschließen an das Netz wieder erscheinen, liegt der Fehler vermutlich beim Netz. (Wenden Sie sich an einen Elektriker.)
Warnmeldung:	Relay Damaged
Erklärung:	Die internen Relais, die zum Anschließen des Wechselrichters an das Netz verwendet werden, sind beschädigt.
Maßnahme:	Öffnen Sie den Stromkreisunterbrecher. Rufen Sie den Kundendienst an.
Warnmeldung:	Auto test failed
Erklärung:	Die Selbst-Prüfung des Wechselrichters ist fehlgeschlagen. Es ist ein interner Fehler vorhanden.
Maßnahme:	Öffnen Sie den Stromkreisunterbrecher. Dann entfernen Sie für 5 Minuten die DC-Stecker vom Wechselrichter. Nach 5 Minuten verbinden Sie die DC-Stecker wieder und schließen den AC-Stromkreisunterbrecher. Sollte das Problem weiter bestehen wenden Sie sich bitte an den Kundendienst.
Warnmeldung:	2.5V Ref Fault
Erklärung:	Die interne Spannungsreferenz des Wechselrichters ist defekt.
Maßnahme:	Rufen Sie den Kundendienst an.
Warnmeldung:	Es erscheint keine Anzeige auf dem Display.
Erklärung:	
Maßnahme:	Die Stromversorgung für das Display kommt von den Solar-Paneelen. Überprüfen Sie, ob die DC-Stecker fest mit dem Wechselrichter verbunden sind. Ist ausreichend Tageslicht vorhanden und die LCD-Anzeige zeigt keine Angaben/Werte an → wenden Sie sich an den Kundendienst.

5. TECHNISCHE DATEN

EN

FR

DE

ES

IT

SE

Appendix

BlueSolar Grid Inverter	1500	2000	2800	4000	5000
NETZ AUSGANG (AC)					
Nennausgangsleistung	1500 W	2000 W	2800 W	4000 W	5000 W
Maximale Ausgangsleistung	1650 W	2200 W	3000 W	4400 W	5500 W
Nennausgangsstrom	6,52 A	8,7 A	12 A	17,5 A	22 A
Maximaler Ausgangsstrom	7,2 A	9,5 A	13 A	19 A	24 A
Maximale Absicherung	16 A	16 A	16 A	25 A	25 A
Harmonische Verzerrung des Ausgangsstroms	<3% bei Nennleistung <5% bei 50% Leistung				
Nennwert Wechselstromausgangsspannung	220 V - 230 V - 240 V				
Leistungsfaktor	>0,99 % bei Nennleistung				
Betriebsbereich AC-Spannung	190-260 V				
Nennwert Wechselstromfrequenz	50 Hz				
Betriebsbereich AC-Frequenz	45,5-54,5 Hz				
Interner Verbrauch bei Nacht	<0,1 W				
Kurzschlussfest	Ja				
SOLAR-EINGANG (DC)					
Maximale Eingangs-Spannung	450 V	500 V	500 V	550 V	550 V
Eingangs-Spannungs MPPT-Bereich	110-430 V	110-480 V	110-480 V	110-530 V	110-530 V
Maximaler Eingangsstrom	9 A	10 A	13 A	18 A	20 A
Maximale Eingangsleistung	1750 W	2280 W	3160 W	4500 W	5200 W
Anzahl der MPP-Tracker	1	1	1	1	1
Anzahl der Stränge	1	1	2	4	4
Anlauf-Leistung	7 W	7 W	7 W	10 W	10 W
Erdschlussüberwachung	RCMU (Differenzstromüberwachungsgerät)				
Verpolungsschutz	Ja, mit Kurzschlussdiode				
WIRKUNGSGRAD					
Max. Wirkungsgrad	95.5%	96.4%	96.4%	97.6%	97.8%
Europäischer Wirkungsgrad	94.5%	95.4%	95.5%	96.7%	96.9%
ALLGEMEINES					
Topologie	Transformatorlos				
Schnittstelle	RS232				
Betriebstemperaturbereich	-20°C bis 60°C (automatische Leistungsbegrenzung für den Fall einer internen Übertemperatur)				
Temperaturbereich Nennleistung	-20°C bis 55°C				
Lagertemperaturbereich	-20°C bis 70°C				
Maximale Betriebshöhe	2.000 m (5% Derating bei 4.000 m)				
Kühlmethode	Naturkonvektion				
Relative Feuchtigkeit	Max. 95 %				
GEHÄUSE					
Schutzart	IP54				
DC-Stecker	MC4 (Multi Contact 4 mm)				
Gewicht (kg)	14,8 kg	14,8 kg	14,8 kg	20,7 kg	20,7 kg
Abmessungen (hxbxt, mm)	376x415x125	376x415x125	376x415x125	368x475x195	368x475x195
NORMEN					
Sicherheit	EN 50178				
EMC, Emission	EN 61000-6-3				
EMV, Immunität	EN 61000-6-2				
EMV, Oberschwingungen und Flicker	EN 61000-3-2, EN 61000-3-3				
Automatische Netzabschaltung	VDE 0126-1-1				

Antes de empezar

Este manual contiene información importante relacionada con la instalación y el funcionamiento seguro de esta unidad.

Le rogamos lea este manual con atención antes usarlo.

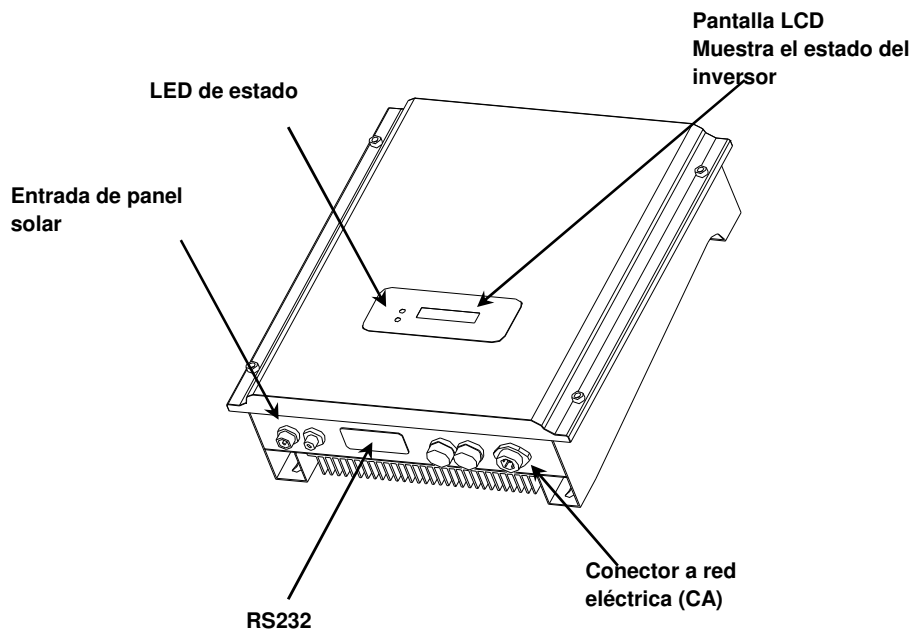
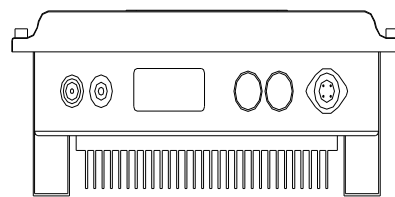
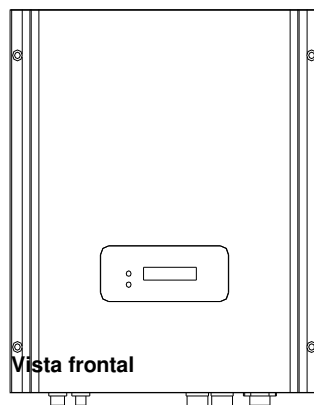
Los inversores solares conectados a la red BlueSolar son productos profesionales que deben ser instalados exclusivamente por personal cualificado. Por favor, lea estas instrucciones de seguridad para más información.

En el interior del inversor se dan tensiones muy altas que podrían ser mortales.

Si tuviese algún problema durante la instalación o el funcionamiento de esta unidad, consulte este manual antes de ponerse en contacto con su distribuidor local o con un representante de Victron Energy. Las instrucciones contenidas en este manual le ayudarán a resolver la mayoría de los problemas que pudiera encontrar durante la instalación o el funcionamiento.

1. Índice

BlueSolar 1500, 2000 y resumen del 2800



EN

FR

DE

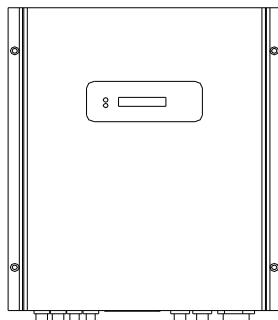
ES

IT

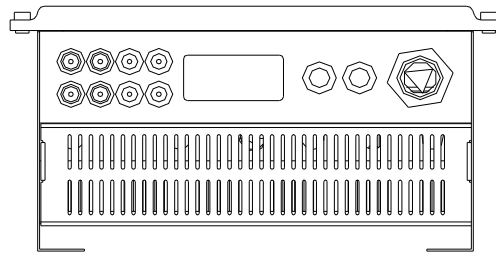
SE

Appendix

BlueSolar 4000 y resumen del 5000



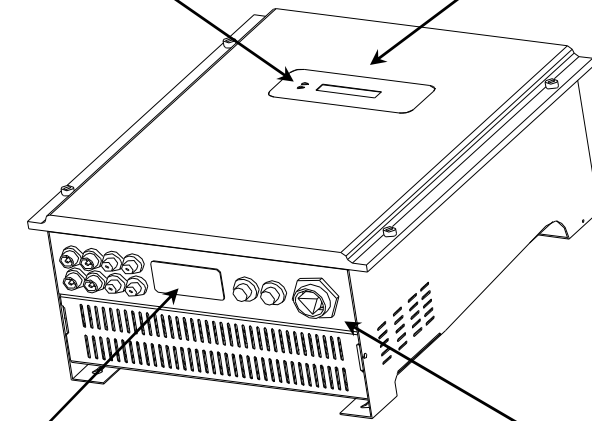
Vista frontal



Vista inferior

LED de funcionamiento

Pantalla LCD
Muestra el estado del inversor



RS232

Conector a red eléctrica (CA)

Apertura del embalaje

Al abrir el embalaje, compruebe el contenido de la caja. Debería encontrar lo siguiente:

Artículo	Nombre	Cantidad
1	Inversor BlueSolar	1
2	Bastidor de montaje	1
3	Tornillos de montaje	4
4	Tornillos de seguridad	2
5	Conjunto de enchufe CA	1
6	Manual de instrucciones	1

2. INSTALACIÓN

2.1 Instrucciones de seguridad



Los paneles solares y cables deberán ser de Protección de tipo II



¡No desconecte los cables CC cuando el inversor esté conectado a la red eléctrica!
Los arcos CC dañarán los conectores y podrían producir quemaduras graves y riesgo de incendio.



El inversor deberá ser instalado por personal cualificado.
Este inversor deberá conectarse a un disyuntor por separado en la caja de disyuntores. No deberá conectar ningún dispositivo doméstico a este disyuntor.



¡No abra el inversor!
En el interior se dan tensiones muy altas que podrían ser mortales.
Incluso después de desconectar la unidad de la red y de los paneles fotovoltaicos, estas altas tensiones podrían permanecer en el interior del inversor-FV.



Algunas piezas y las superficies del inversor podrían calentarse durante su funcionamiento. Para reducir el riesgo de lesiones, no toque el radiador de la parte posterior del inversor-FV o superficies adyacentes mientras el inversor esté funcionando.



No instale el inversor a proximidad de vapores explosivos o material inflamable.



Esta unidad ha sido diseñada para su uso en exteriores (IP65).

No exponga el inversor directamente a la luz solar.
La luz solar aumenta la temperatura interna de la unidad, lo que puede disminuir la eficacia de conversión.

No exponga el inversor a la lluvia.
La exposición directa a la lluvia podría, con el tiempo, incrementar la humedad en el producto y provocar fallos.

EN

FR

DE

ES

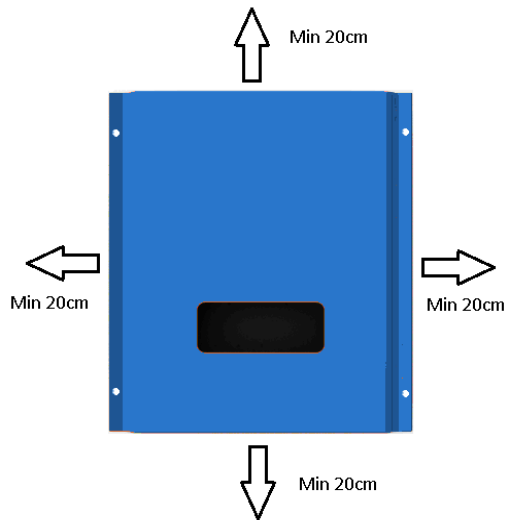
IT

SE

Appendix

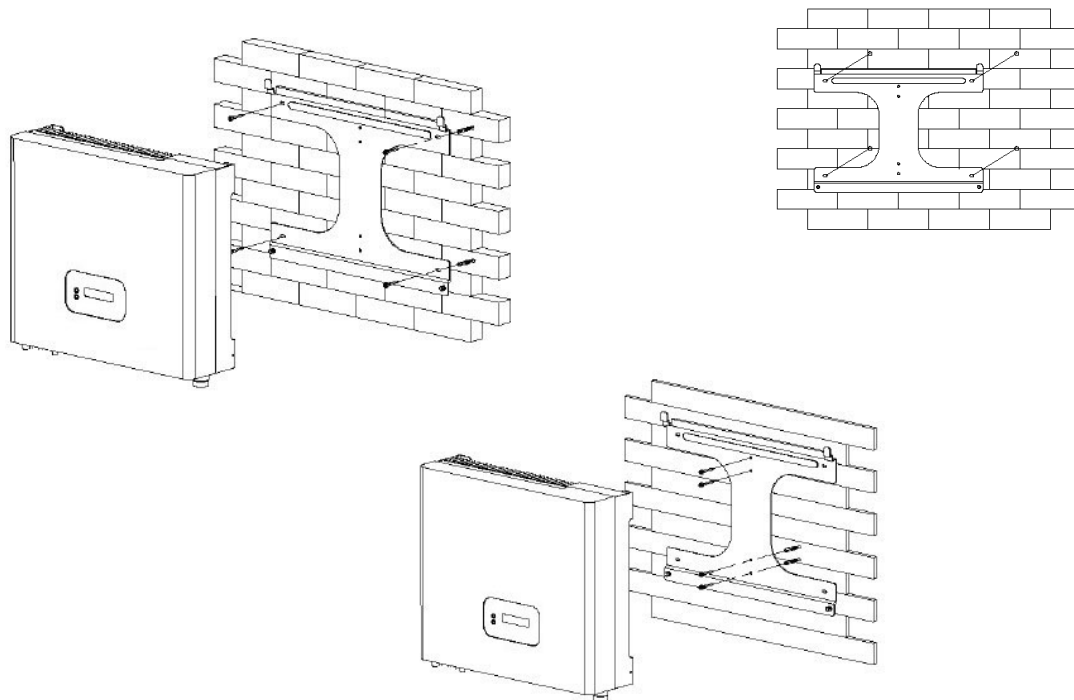
2.2 Instrucciones de montaje

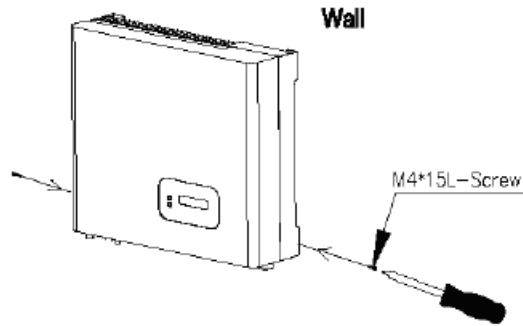
- A. Seleccione una pared o una superficie vertical sólida que pueda soportar el peso del inversor.
- B. El inversor se enfría mediante convección natural. Debe dejarse un espacio de al menos 20 cm. alrededor de todo el inversor.



se ilustra en las siguientes figuras.

- C. Utilizando el bastidor como plantilla, perfere 4 orificios, tal y como
- D. Atornille el bastidor de montaje a la pared con los 4 tornillos.
- E. Cuelgue el inversor del bastidor.
- F. Inserte los tornillos de seguridad en la parte inferior para afianzar el inversor.

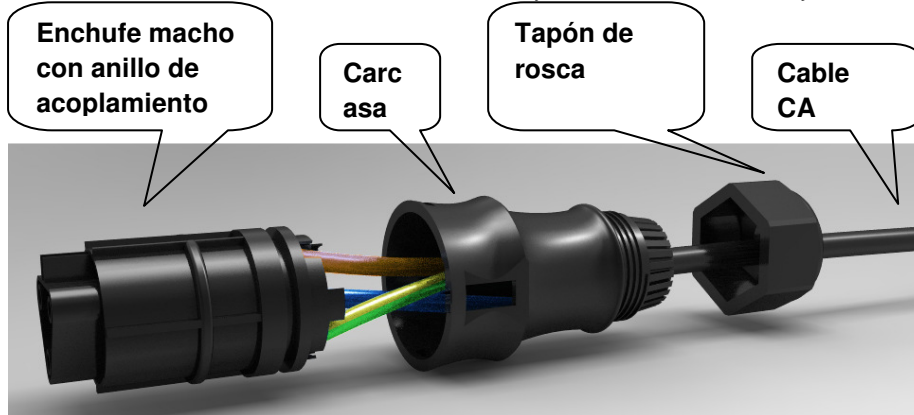




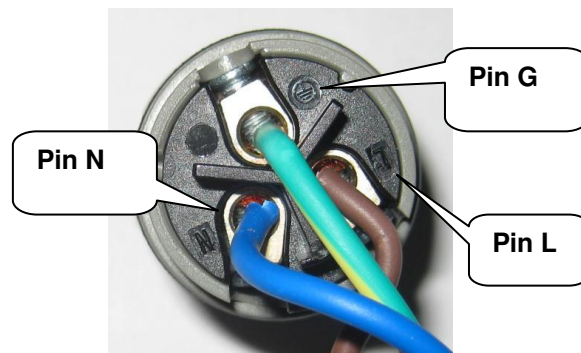
- G. Compruebe que el inversor esté bien sujeto a la pared intentando levantarlo. El inversor deberá permanecer firmemente anclado. Una vez terminado el montaje, se puede conectar el inversor.

2.3 Conexión del inversor a la red pública

- A. Instale una línea CA exclusiva para el inversor solar conectándola a un disyuntor exclusivo para esa línea en la caja de disyuntores.
¡No deberá conectarse ningún otro electrodoméstico a esta línea!
Desconecte el disyuntor o fusible para dejar la línea sin corriente.
- B. Conecte un cable de alimentación al enchufe CA, tal y como se muestra más abajo:




- Pase el cable CA por el tapón de rosca y por la carcasa. Conecte los hilos respetando la polaridad indicada en el bloque terminal. L→LÍNEA (marrón o negro), N→Neutro (azul) y G→tierra (amarillo-verde).
- Apriete la placa prensaestopa con los tornillos suministrados.
- Gire la placa para que el cable se fije firmemente.
- Inserte el cable de Línea en el Pin L, el cable de Neutro en el Pin N y el cable de Tierra en el Pin G.



Tamaños de cable CA recomendados

Modelo	Tamaño de cable mínimo (mm ²)
BueSolar 1500	1,50
BueSolar 2000	2,50
BueSolar 2800	2,50
BueSolar 4000	4,00
BueSolar 5000	4,00

- C. Conecte el cable de alimentación al inversor.
- D. Conecte el cable de alimentación a su enchufe exclusivo.



No conecte el disyuntor o fusible mientras esté trabajando en el inversor.

2.4 Conexión del inversor a los paneles fotovoltaicos


- A. Los conectores de los paneles fotovoltaicos deberán ser del tipo MC4 (Multi-Contact 4mm)




Cuando se conecte más de una serie de paneles FV al inversor (modelos 2800, 4000 y 5000W), asegúrese de que las series de paneles son idénticas. La tensión total del circuito abierto y la corriente de cortocircuito deben ser iguales.

La conexión de estos enchufes a los cables solares requiere herramientas especiales y sólo debe ser realizada por personal cualificado. Una conexión mal hecha podría provocar un incendio. La mayoría de paneles solares ya tienen estos conectores unidos a los cables.

- B. La tensión de los paneles fotovoltaicos no deberán exceder en ningún caso la tensión máxima de entrada del inversor.



Blue Solar 1500: ¡Bajo ninguna circunstancia la tensión de circuito abierto (Voc) del conjunto de placas solares deberá exceder los 450V!
Blue Solar 2000 y 2800: ¡La Voc no deberá exceder los 500V bajo ninguna circunstancia!
Blue Solar 4000 y 5000: ¡La Voc no deberá exceder los 550V bajo ninguna circunstancia!
El inversor quedará dañado de forma permanente si la Voc es demasiado alta.



Tenga en cuenta que la Voc alcanza su punto máximo cuando los paneles solares tienen una temperatura local más baja que se pueda esperar, y no llevan corriente (inversor desconectado de la red eléctrica) con máxima intensidad de luz solar (1000W/m²).

- C. Compruebe que la polaridad de las conexiones CC es correcta. Una polaridad incorrecta podría dañar la unidad de forma permanente.
- D. Conecte los terminales positivo y negativo del panel FV a los terminales positivo (+) y negativo (-) del inversor. El amperaje nominal máximo de los terminales CC es de 20A.



Compruebe que la corriente de cortocircuito del conjunto de paneles solares es inferior a la corriente de entrada CC máxima del inversor. El inversor no extraerá más corriente de los paneles que el valor "máx. I PV" (ver especificaciones). Si hubiese más corriente disponible en los paneles, el inversor no consumirá esta corriente / electricidad adicional. La electricidad total del sistema será inferior a la esperada.

2.5 Arranque del sistema

Cuando los paneles FV están conectados y su tensión de salida es mayor de 100 VCC pero la red eléctrica todavía no ha sido conectada, la pantalla LCD mostrará los siguientes mensajes: "MODEL= XkW"-> "Waiting" -> "Disconnect grid" ("MODELO= XkW"-> "Esperando" -> "Desconectar de la red").

La pantalla repite el mensaje "Disconnect grid" ("Desconectar de la red") y el LED rojo de "Fault" ("Fallo") se enciende.

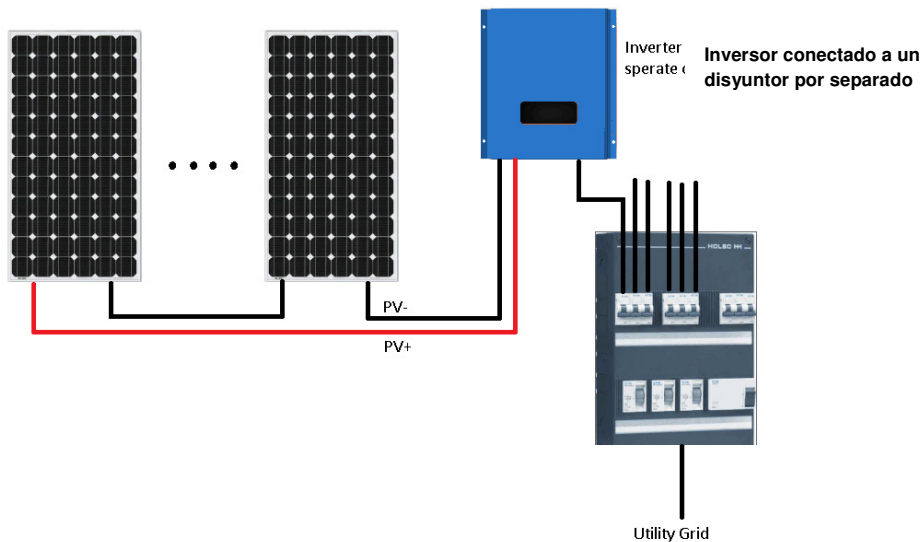
Conecte el disyuntor CA o el fusible entre el inversor-FV y la red eléctrica.

Si la tensión y frecuencia de la red eléctrica está dentro de los límites, se iniciará una cuenta atrás (visible en pantalla).

Cuando la cuenta atrás haya llegado a 0, el inversor se conectará a la red eléctrica y suministrará energía.

La pantalla LCD muestra "Pac=xxxx.xW", que representa la electricidad enviada a la red eléctrica. El LED verde se activará, indicando un funcionamiento normal.

2.6 Diagrama del sistema



3. MODOS DE FUNCIONAMIENTO

Existen 5 modos distintos de funcionamiento.

Modo Standby

Si la tensión de los paneles fotovoltaicos es <100VCC, el inversor dispone justo de la potencia necesaria para arrancar el controlador interno, pero la tensión es demasiado baja como para iniciar la conversión de energía.

Modo en espera

Cuando la tensión de los paneles es >100VDC, el inversor entra en un estado de "listo para el servicio" e intenta conectarse a la red eléctrica.

Modo normal

En este modo, el inversor funciona normalmente. Siempre que la tensión de los paneles FV sea suficiente (tensión >150VCC), el inversor envía la electricidad que convierte a la red eléctrica. En modo normal, el LED verde está encendido.

Modo Fallo

El controlador interno realiza un seguimiento continuo del estado del sistema. En caso de sufrir unas condiciones no previstas, como problemas de la red eléctrica o fallos internos, mostrará la información en su pantalla LCD y se encenderá el LED rojo de "Fault" ("Fallo").

Modo de Apagado automático

Durante los periodos en que haya poca o ninguna luz solar, el inversor se detiene automáticamente. La pantalla y los LED del panel frontal no funcionan.

Secuencia del arranque en la pantalla: Cuando la potencia FV es suficiente, el inversor muestra la información como sigue:

"User: xxxx" → "Spec:xxxx" → "Model:x.xkW" → "SW Version :xx.xx" → "Checking xxS" → "Normal State" → "Pac= xxx.x W" ("Usuario: xxxx" → "Espec:xxxx" → "Modelo:x.xkW" → "SW Versión :xx.xx" → "Comprobando xxS" → "Estado Normal" → "Pac= xxx.x W").

La retroiluminación de la pantalla LCD se apaga automáticamente pasados 30 segundos, para ahorrar energía.

Pantalla LCD

Primera línea de la pantalla LCD		
Estado	Contenido de la pantalla	Observación
Estado de Espera	En espera	Espera inicial
	Comprobando xxS	Comprobación del sistema
	Reconexión en xxS	Comprobación del sistema
	Standby	Tensión FV baja
Estado Normal	Pac = xxx.x W	Potencia de salida del inversor
Estado de Autocomprobación	Autocomprobación	Autocomprobación de protección
Estado de Fallo	Fallo xx del sistema	Fallo del sistema
Estado permanente	Inversor xx Dañado	Fallo del inversor
Estado de programación	Programando	Actualizar software

Segunda línea de la pantalla LCD		
Visualización del ciclo	Hora de la pantalla /s	Observación
Usuario: xxxx	1	Tipo de usuario
Espec.: xxxx	1	Tipo de espec. del inversor
Modelo:x.xkW	1	Modelo de inversor
SW Versión:xx.xx	1	Versión de software
Etotal: xxxkWh	2	Energía total
Etoday: xx.xkWh	2	La energía del día
Ttoday:xxhxxmin	2	Horas de funcionamiento del día
PV:xxxV BUS:xxxV	2	La tensión FV y Bus
AC:xxxV xx.xHz	2	La tensión y frecuencia de la red elé

4. RESOLUCIÓN DE PROBLEMAS

En caso de mal funcionamiento/fallo del sistema, el LED rojo (Fallo) del panel frontal se activará y la pantalla LCD mostrará el motivo del problema.

Por favor, consulte en la tabla siguiente el listado de todos los avisos LCD posibles.

Aviso:	Grid V Fault (Fallo de T de la red)
Explicación:	La tensión de la red es demasiado alta o demasiado baja.
Medidas a tomar:	<p>Comprobar la tensión de la red eléctrica en la pantalla. Esperar 5 minutos. Si la tensión de la red vuelve a sus valores normales, el inversor volverá a arrancar automáticamente.</p> <p>Si la tensión aumenta y es demasiado alta cuando el inversor está arrancando, posiblemente signifique que la conexión a la red eléctrica tiene demasiada resistencia, o las conexiones son defectuosas.</p> <p>Es posible realizar un seguimiento de la tensión de la red con el software de registro de datos suministrado con su inversor. Una tensión de red que aumente en más de 10V cuando el inversor pasa de 0W hasta la potencia total de salida indica una red eléctrica de alta impedancia.</p> <p>Si el problema persiste, llame a un electricista.</p>
Aviso:	Grid F Fault (Fallo de F de la red)
Explicación:	La frecuencia de la red es demasiado alta o demasiado baja.
Medidas a tomar:	<p>Comprobar la frecuencia de la red eléctrica en la pantalla. Esperar 5 minutos. Si la frecuencia de la red vuelve a sus valores normales, el inversor volverá a arrancar automáticamente.</p> <p>Si la frecuencia de la red sigue fuera de los límites de este inversor, llame a un electricista.</p>
Aviso:	Disconnected grid (Red eléctrica desconectada)
Explicación:	No hay tensión de la red eléctrica en el inversor.
Medidas a tomar:	Compruebe que el fusible o disyuntor del inversor solar en la caja de disyuntores esté conectado. Si el disyuntor está conectado, llame al servicio técnico.
Aviso:	High PV Voltage (Tensión FV alta)
Explicación:	La tensión proveniente de los paneles solares es demasiado alta.
Medidas a tomar:	<p>Compruebe el valor en la pantalla LCD que hace referencia a la tensión-FV, (PV:xxxV). Si este valor es cercano o superior al valor indicado en las especificaciones como "Max input voltage" (tensión de entrada máxima), ¡desactive el disyuntor y retire todos los cables inmediatamente! Llame al servicio técnico. Su inversor-FV quedará dañado si no toma ninguna medida.</p>
Aviso:	High Temperature (Temperatura alta)
Explicación:	La temperatura del inversor es demasiado alta.
Medidas a tomar:	Compruebe que la temperatura ambiente del inversor no sea demasiado alta. Compruebe que el inversor está montado según las especificaciones y que hay suficiente espacio alrededor del inversor para su refrigeración. Compruebe que el soporte negro de refrigeración del inversor está limpio y no tiene obstrucciones. Si el problema persiste, llame al servicio técnico.
Aviso:	Not Consistent (Datos no coherentes)
Explicación:	Los 2 microcontroladores del inversor tienen datos contradictorios.
Medidas a tomar:	Llame al servicio técnico.
Aviso:	Eeprom damaged (EEPROM dañada)
Explicación:	La memoria EEPROM del inversor está dañada.
Medidas a tomar:	Llame al servicio técnico.
Aviso:	Low Isolation (Aislamiento bajo)
Explicación:	Al arrancar el inversor, este mide el aislamiento eléctrico entre los paneles solares y la protección de puesta a tierra. Si el aislamiento es insuficiente, el inversor no arrancará, evitando así una situación de inseguridad.
Medidas a tomar:	<p>Desconecte el disyuntor y después desconecte los enchufes CC del inversor durante 5 minutos. Pasados 5 minutos, vuelva a conectar los enchufes CC y el disyuntor CA.</p> <p>Si el problema persiste, llame al servicio técnico.</p>

Aviso:	High ground I (Conexión a tierra I alta)
Explicación:	El GFCI (interruptor a tierra) está activo debido a un fallo de corriente entre las partes bajo tensión y la conexión a tierra. El inversor se apagará.
Medidas a tomar:	Desconecte el disyuntor y después desconecte los enchufes CC del inversor durante 5 minutos. Pasados 5 minutos, vuelva a conectar los enchufes CC y el disyuntor CA. Si el problema persiste, llame al servicio técnico.
Aviso:	Please Initiate (Iniciar)
Explicación:	El inversor no ha sido iniciado por primera vez en fábrica.
Medidas a tomar:	Llame al servicio técnico.
Aviso:	GFCI Damaged (GFCI Dañado)
Explicación:	La unidad de protección GFCI está dañada.
Medidas a tomar:	Llame al servicio técnico.
Aviso:	Sensor Damaged (Sensor dañado)
Explicación:	El sensor de corriente CC del inversor está dañado.
Medidas a tomar:	Llame al servicio técnico.
Aviso:	SCI damaged (SCI dañado)
Explicación:	La comunicación entre los dos microcontroladores del inversor ha fallado.
Medidas a tomar:	Llame al servicio técnico.
Aviso:	High DC INJ (Inyección CC alta)
Explicación:	Normalmente el inversor inyecta corriente CA a la red eléctrica. Cuando el aviso "high DC INJ" (inyección de CC alto), por algún motivo la inyección de corriente CC a la red es mayor que la aceptable, y el inversor se apaga.
Medidas a tomar:	Desconecte el disyuntor y después desconecte los enchufes CC del inversor durante 5 minutos. Vuelva a conectar los enchufes CC y conecte el disyuntor CA pasados 5 minutos. Si el problema persiste, llame al servicio técnico.
Aviso:	High Bus Voltage (Tensión Bus alta)
Explicación:	La tensión BUS interna es demasiado alta.
Medidas a tomar:	Desconecte el disyuntor y después desconecte los enchufes CC del inversor durante 5 minutos. Pasados 5 minutos, vuelva a conectar sólo los enchufes CC (¡no conecte el disyuntor!). ¿Muestra la pantalla el aviso "High Bus Voltage" (Tensión BUS alta)? Sí→ la tensión proveniente de los paneles solares es demasiado alta, o hay un fallo interno (llame al servicio técnico). No→ conecte el disyuntor y espere a que el inversor vuelva a conectarse a la red eléctrica. Si el aviso "High Bus Voltage" (Tensión BUS alta) vuelve a aparecer tras reconectarse a la red eléctrica, probablemente algún fallo en la red. (Llame a un electricista).
Aviso:	Relay Damaged (Relé dañado)
Explicación:	El relé interno que conecta el inversor a la red eléctrica está dañado.
Medidas a tomar:	Desconecte el disyuntor. Llame al servicio técnico.
Aviso:	Auto test failed (Fallo de autocomprobación)
Explicación:	La autocomprobación del inversor ha fallado. Se ha producido un fallo interno.
Medidas a tomar:	Desconecte el disyuntor y después desconecte los enchufes CC del inversor durante 5 minutos. Pasados 5 minutos, vuelva a conectar los enchufes CC y el disyuntor CA. Si el problema persiste, llame al servicio técnico.
Aviso:	2.5V Ref Fault (Fallo de ref. 2,5 V)
Explicación:	La referencia de tensión interna del inversor está fallando.
Medidas a tomar:	Llame al servicio técnico.
Aviso:	La pantalla no muestra nada.
Explicación:	
Medidas a tomar:	La pantalla se alimenta de la electricidad proveniente de los paneles solares. Compruebe que los enchufes CC estén bien conectados al inversor. Si hay suficiente luz solar y la pantalla LCD no muestra ninguna indicación / valor → llame al servicio técnico.

5. ESPECIFICACIONES

BlueSolar Grid Inverter	1500	2000	2800	4000	5000
SALIDA RED ELÉCTRICA (CA)					
Potencia nominal de salida	1500W	2000W	2800W	4000W	5000W
Potencia máxima de salida	1650W	2200W	3000W	4400W	5500W
Corriente nominal de salida	6,52A	8,7A	12A	17,5A	22A
Corriente máxima de salida	7,2A	9,5A	13A	19A	24A
Amperaje máximo del fusible	16A	16A	16A	25A	25A
Distorsión armónica de la corriente de salida	<3% a la potencia nominal		<5% al 50% de la potencia		
Tensión nominal de salida CA	220V - 230V - 240V				
Factor de potencia	>0,99% a la potencia nominal				
Rango de tensión CA de trabajo	190-260V				
Frecuencia CA nominal	50Hz				
Rango de frecuencia CA de trabajo	45,5-54,5Hz				
Consumo interno nocturno	<0,1W				
A prueba de cortocircuitos	Sí				
ENTRADA SOLAR (DC)					
Tensión máxima de entrada	450V	500V	500V	550V	550V
Rango de tensión de entrada MPPT	110-430V	110-480V	110-480V	110-530V	110-530V
Corriente máxima de entrada	9A	10A	13A	18A	20A
Potencia máxima de entrada	1750W	2280W	3160W	4500W	5200W
Cantidad de captadores MPPT	1	1	1	1	1
Cantidad de conjuntos	1	1	2	4	4
Potencia de arranque	7W	7W	7W	10W	10W
Seguimiento de fallos de pérdida a tierra	RCMU (unidad de control de corriente residual)				
Protección contra polaridad inversa	Sí, con diodo en cortocircuito				
EFICACIA					
Eficacia máxima	95,5%	96,4%	96,4%	97,6%	97,8%
Estándar de eficacia europeo	94,5%	95,4%	95,5%	96,7%	96,9%
GENERAL					
Topología	Sin transformador				
Puerto de comunicaciones	RS232				
Temperatura de trabajo	-20°C a 60°C (límite de potencia automático en caso de sobrecalentamiento interno)				
Temperatura de trabajo a la potencia nominal	-20°C a 55°C				
Temperatura de almacenamiento	-20°C a 70°C				
Altura máxima de trabajo	2000 m (5% de reducción a 4000 m)				
Método de refrigeración	Convección natural				
Humedad relativa	Máx. 95%				
CARCASA					
Tipo de protección	IP54				
Conectores CC	MC4 (Multi Contact 4mm)				
Peso (kg)	14,8 kg	14,8 kg	14,8 kg	20,7 kg	20,7 kg
Dimensiones (al x an x p en mm.)	376x415x125	376x415x125	376x415x125	368x475x195	368x475x195
NORMATIVAS					
Seguridad	EN 50178				
Emisión EMC	EN 61000-6-3				
Inmunidad EMC	EN 61000-6-2				
Armónicos y fluctuaciones EMC	EN 61000-3-2, EN 61000-3-3				
Desconexión automática de la red eléctrica	VDE 0126-1-1				

EN

FR

DE

ES

IT

SE

Appendix

Operazioni preliminari

Il presente manuale contiene importanti informazioni in merito all'installazione e al funzionamento in sicurezza della presente unità. Leggere attentamente il presente manuale prima dell'uso.

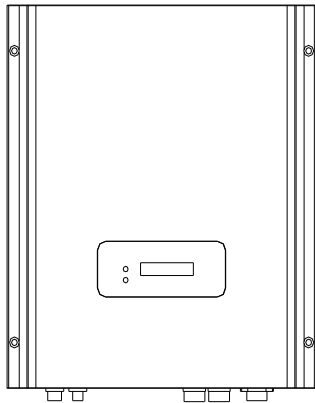
Gli inverter solari collegati alla rete BlueSolar sono prodotti professionali e dovranno essere installati solo da personale qualificato. Leggere le istruzioni di sicurezza per ulteriori informazioni.

La tensione all'interno dell'inverter ha valori molto elevati che costituiscono pericolo di morte.

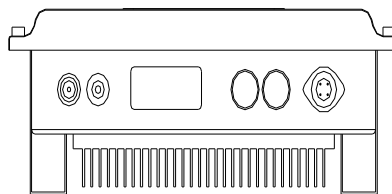
In caso di problemi durante l'istallazione o il funzionamento dell'unità, consultare il presente manuale prima di contattare il rivenditore locale o un rappresentante Victron energy. Le istruzioni contenute nel presente manuale saranno utili a risolvere le principali difficoltà di installazione e funzionamento.

1. Indice

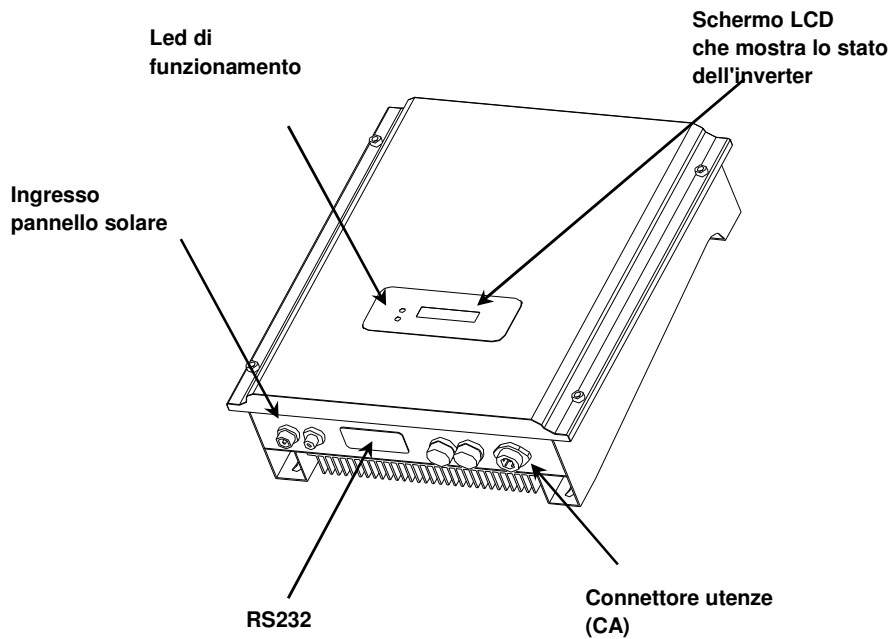
Panoramica di BlueSolar 1500, 2000 e 2800



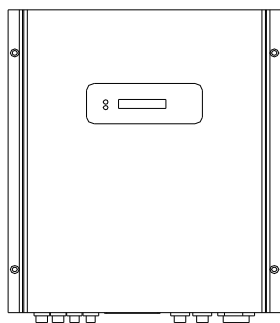
Vista frontale



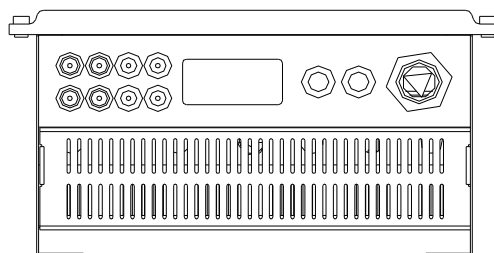
Vista dal basso



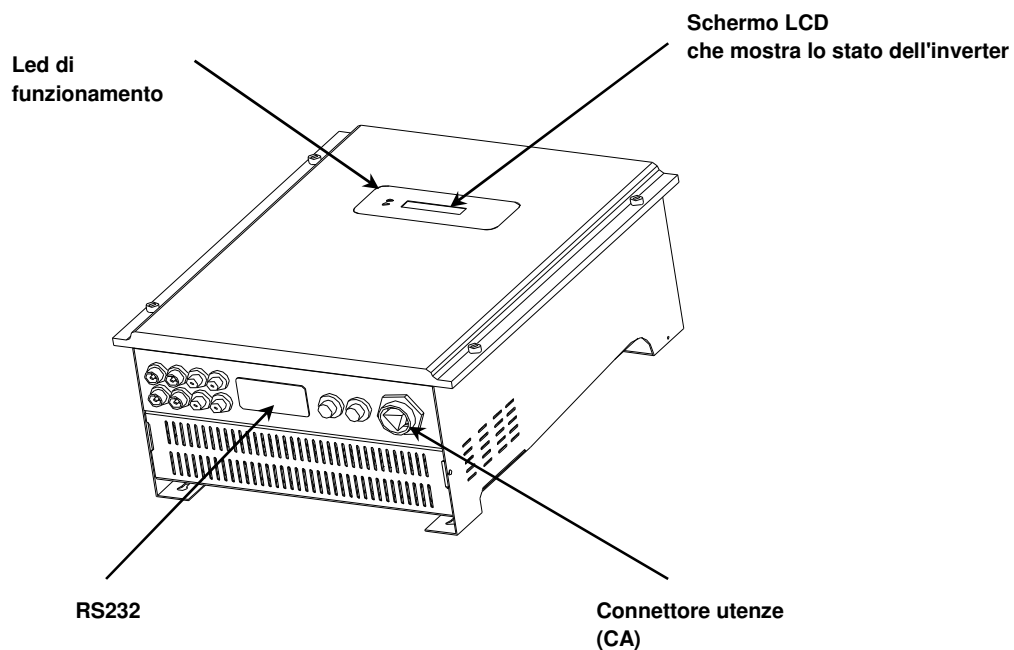
Panoramica di BlueSolar 4000 e 5000



Vista frontale



Vista dal basso



Apertura confezione

Dopo aver aperto la confezione, verificarne il contenuto. Dovranno esservi i seguenti articoli:

Voce	Nome	Quantità
1	Inverter BlueSolar	1
2	Telaio di montaggio	1
3	Viti di montaggio	4
4	Viti di fissaggio di sicurezza	2
5	Gruppo presa CA	1
6	Manuale di istruzioni	1

2. INSTALLAZIONE

2.1 Istruzioni di sicurezza



I cavi e pannelli solari devono avere Classe di Protezione II



Non scollegare i cavi CC quando l'inverter è collegato alla rete di alimentazione delle utenze!
Archi in CC danneggerebbero i connettori e potrebbero causare scottature e incendi.



L'inverter deve essere installato da personale qualificato.
Il presente inverter va connesso ad un fusibile separato nella scatola dell'interruttore a cui non si dovrà collegare nessun altro dispositivo domestico.



Non aprire l'inverter!
Pericolo di morte a causa dell'alta tensione all'interno dell'inverter.
È possibile che all'interno dell'inverter FV persistano valori di tensione elevati anche dopo che l'unità è stata scollegata dalla rete e dai pannelli fotovoltaici.



Durante il funzionamento, alcuni componenti e superfici dell'inverter potrebbero raggiungere temperature elevate. Per ridurre il rischio di lesioni, non toccare il dissipatore di calore sul retro dell'inverter FV, né le superfici circostanti durante il funzionamento dell'Inverter.



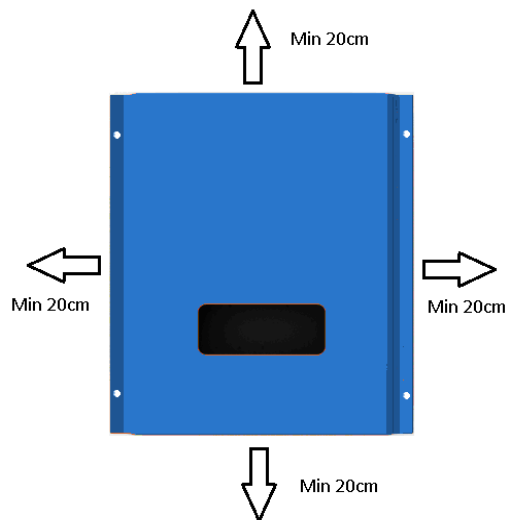
Non installare l'inverter nelle vicinanze di vapori esplosivi o oggetti infiammabili.



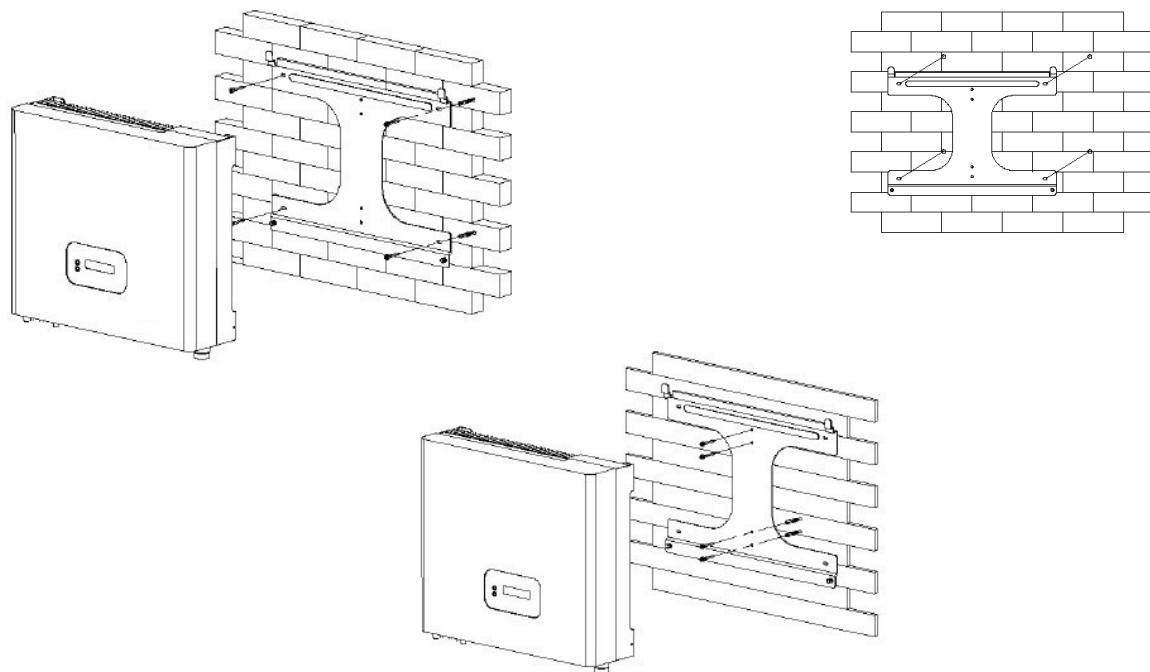
L'unità è progettata per uso all'esterno (IP65).
Non esporre alla luce diretta del sole.
La luce diretta del sole aumenta la temperatura interna, il che potrebbe comportare una riduzione dell'efficienza di conversione.
Non esporre alle precipitazioni.
L'esposizione diretta alle precipitazioni con il tempo aumenta l'umidità all'interno del prodotto e può comportarne il guasto.

2.2 Istruzioni di montaggio

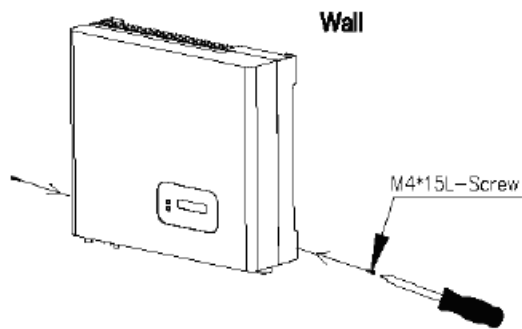
- A. Scegliere una parete o una superficie verticale solida in grado di sorreggere l'inverter.
- B. L'inverter presenta raffreddamento a convezione naturale. Lasciare uno spazio di almeno 20cm al di sopra, al di sotto e ai lati dell'inverter.



- C. Usando il telaio di montaggio come dima, praticare 4 fori come mostrato nelle immagini seguenti.



- D. Assicurare il telaio di montaggio alla parete con le 4 viti.
- E. Agganciarvi l'inverter.
- F. Inserire le viti di fissaggio di sicurezza nel bordo inferiore per fissare l'inverter.

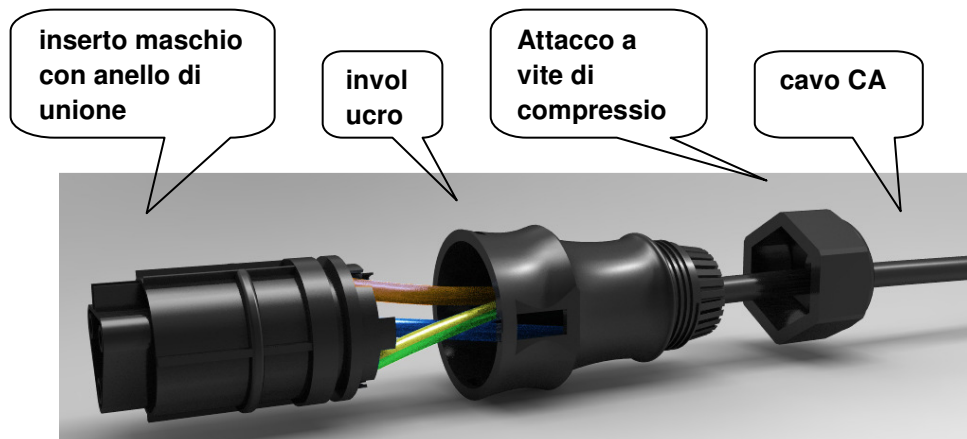


- G. Verificare che l'inverter sia ben saldo cercando di sollevarlo dal basso. L'inverter dovrà rimanere saldamente ancorato.

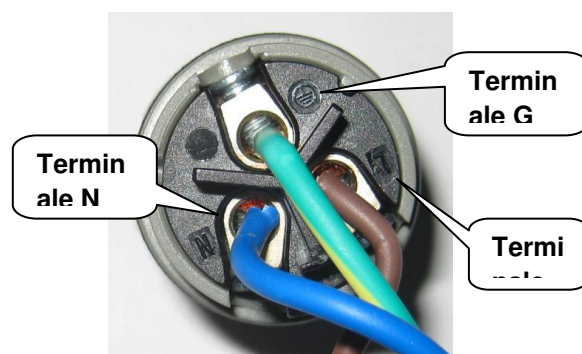
Una volta terminato il montaggio è possibile procedere al collegamento dell'inverter.

2.3 Collegamento dell'inverter alla rete pubblica

- G. Installare una linea CA separata su un interruttore dedicato dalla scatola dell'interruttore all'inverter solare. Non si dovrà collegare nessun altro apparecchio a questa linea! Aprire l'interruttore o il fusibile per togliere l'alimentazione alla linea.
- H. Collegare un cavo di rete alla spina CA come descritto di seguito:




- Inserire il cavo CA facendolo passare attraverso l'attacco a vite di compressione e l'involucro. Collegare i fili rispettando le polarità riportate sulla morsettiera. L→LINEA (marone o nero), N→Neutro (blu) e G→ terra dell'impianto (giallo-verde).
- Avvitare la piastra pressacavo con le viti accluse.
- Ruotare il pressacavo così che il cavo risulti ben assicurato.
- Inserire la Linea nel terminale L, il Neutro nel terminale N e la Terra nel terminale G.



Dimensioni consigliate per il cavo CA

Modello	Dimensione minima cavo (mm ²)
BueSolar 1500	1.50
BueSolar 2000	2.50
BueSolar 2800	2.50
BueSolar 4000	4.00
BueSolar 5000	4.00

- C Collegare il cavo di rete all'inverter.
- D Collegare il cavo di rete alla presa dedicata.



Non chiudere l'interruttore o il fusibile mentre si opera sull'inverter.

2.4 Collegamento dell'inverter ai pannelli fotovoltaici


- A. I connettori dai pannelli fotovoltaici devono essere MC4 (Multi-Contact 4mm)




Quando si collega all'inverter più di una stringa FV (per i modelli 2800, 4000 e 5000W), assicurarsi che le stringhe siano identiche. La corrente di corto circuito deve essere uguale alla tensione totale a circuito aperto.

Il collegamento di queste spine ai cavi solari richiede utensili specifici, e dovrà essere effettuato solo da personale qualificato. Un collegamento scorretto può provocare incendi. Nella maggior parte dei pannelli solari questi connettori sono già collegati ai cavi.

- B. La tensione proveniente dai pannelli fotovoltaici non deve mai superare la tensione massima di ingresso dell'inverter.



Blue Solar 1500: la tensione a circuito aperto del modulo solare (Voc) non deve mai superare i 450V in qualunque condizione!
Blue Solar 2000 e 2800: la Voc non deve mai superare i 500V in qualunque condizione!
Blue Solar 4000 e 5000: la Voc non deve mai superare i 550V in qualunque condizione!
valori Voc troppo elevati danneggerebbero irreversibilmente l'inverter.



Si consideri che i valori Voc più elevati si raggiungono quando i pannelli solari sono alla più bassa temperatura locale prevedibile, e non vi fluisce corrente (inverter scollegato dalla rete pubblica) con luce solare massima (1000W/m²).

C. Verificare la corretta polarità delle spine CC. Una polarità errata potrebbe danneggiare irreversibilmente l'unità.

D. Collegare i terminali positivo e negativo dal pannello FV ai terminali positivo (+) e negativo (-) dell'inverter. La portata massima di corrente dei terminali CC è 20A



Verificare che la corrente di corto circuito del modulo solare sia inferiore alla corrente di ingresso CC massima dell'inverter.

L'inverter non assorbirà dai pannelli più corrente del valore "I PV max" (cfr specifiche). Se vi è una maggiore disponibilità di corrente dai pannelli, tale potenza / corrente aggiuntiva non verrà consumata dall'inverter. La potenza totale dell'impianto sarà inferiore a quella prevista.

2.5 Avvio impianto

Quando i pannelli FV sono collegati e le relative tensioni di uscita sono superiori a 100 VCC ma la rete CA non è ancora collegata, verranno visualizzati i seguenti messaggi sullo schermo LCD: "MODEL= XkW"-> "Waiting" -> "Disconnect grid" ("MODELLO= XkW"-> "In attesa" -> "Scollegare rete"). Lo schermo ripropone il messaggio "Disconnect grid" ("scollegare rete") e si accende il led "Fault" (guasto).

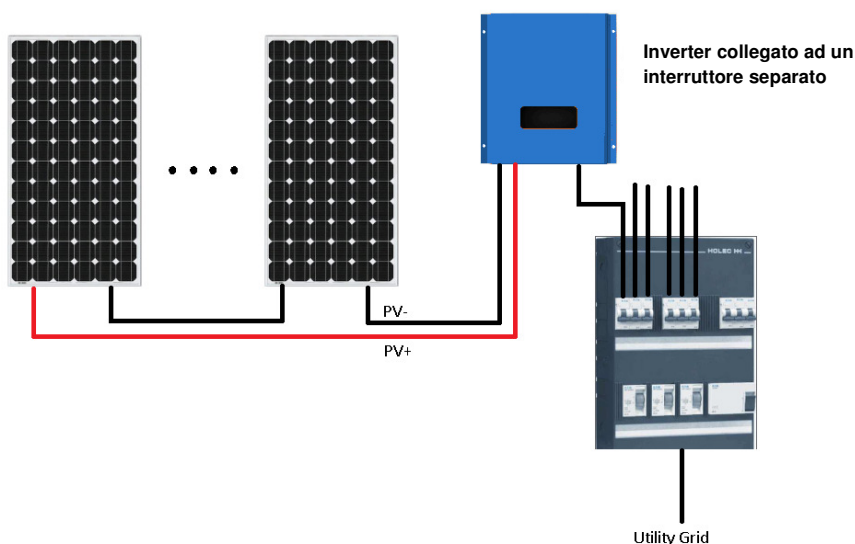
Chiudere il fusibile o l'interruttore CA tra l'Inverter FV e la rete.

Se la tensione di rete e la frequenza sono all'interno dei limiti, inizierà un conto alla rovescia (visibile a schermo).

Quando il conto alla rovescia raggiunge 0s, l'inverter si collegherà alla rete e fornirà energia.

Lo schermo LCD visualizzerà "Pac=xxxx.xW", che indica la potenza fornita alla rete. Si accenderà il led verde, ad indicare una condizione standard.

2.6 Schema dell'impianto



3. MODALITÀ DI FUNZIONAMENTO

Vi sono 5 diverse modalità di funzionamento.

Modalità standby

Se la tensione dal pannello fotovoltaico è <100VCC l'inverter avrà potenza sufficiente solo per avviare il controller interno; la tensione è troppo bassa per avviare la conversione di energia.

Modalità attesa

Quando la tensione dal pannello fotovoltaico è >100VCC, l'inverter entra in uno "stato di attesa" e tenta di connettersi alla rete.

Modalità normale

In questa modalità l'inverter funziona in modo standard. Ogniqualvolta la tensione dal pannello FV è sufficiente (tensione >150VCC) l'inverter converte la potenza nella rete. Nella modalità normale il led verde è acceso.

Modalità guasto

Il controller interno effettua un monitoraggio continuo dello stato del sistema. Qualora si verificano condizioni non previste, quali ad esempio problemi con la rete o un guasto interno, sullo schermo LCD verranno visualizzate le relative informazioni e si accenderà il led rosso "Fault" (guasto).

Modalità arresto

Durante i periodi di luce solare scarsa o assente, l'inverter si arresta automaticamente. Lo schermo e i led sulla parte anteriore non sono in funzione

Sequenza di avvio dello schermo: Quando la potenza FV è ad un livello sufficiente, l'inverter visualizza le seguenti informazioni:

"User: xxxx" ("utente:xxxx") → "Spec:xxxx" ("spec:xxxx") → "Model:x.xkW" ("Modello:x.xkW") → "SW Version :xx.xx" ("Versione SW :xx.xx") → "Checking xxS" ("Verifica xxS") → "Normal State" ("Stato Normale") → "Pac= xxx.x W".

La retroilluminazione dello schermo LCD si disattiva automaticamente dopo 30 secondi per risparmiare energia.

Schermo LCD

Prima riga dello schermo LCD		
Stato	Contenuto schermo	Osservazioni
Stato di attesa	Waiting (in attesa)	Attesa iniziale
	Checking xxS (verifica xxS)	Verifica impianto
	Reconnect in xxS (ricollegamento a Standby)	Verifica impianto
		Tensione FV bassa
Stato Normale	Pac = xxxx.x W	Potenza di uscita inverter
Stato Controllo Automatico	Auto testing (controllo automatico in)	Controllo automatico di protezione
Stato Guasto	System xx Fault (guasto Impianto)	Guasto dell'impianto
Stato Permanente	Inverter xx Damaged (inverter xx)	Guasto dell'inverter
Stato Programma	Programing (in programmazione)	Aggiornamento software

Seconda riga dello schermo LCD		
Visualizzazione ciclica	Tempo di visualizzazione in s	Osservazioni
User: xxxx	1	Tipo di utente
Spec: xxxx	1	Tipo spec inverter
Model:x.xkW	1	Modello inverter
SW Version:xx.xx	1	Versione del software
Ettotal: xxkWh	2	Energia totale
Etoday: xx.xkWh	2	Energia del giorno
Ttoday:xxhxxmin	2	Ore di lavoro del giorno
PV:xxxV BUS:xxxV	2	Tensione FV e del bus
AC:xxxV xx.xHz	2	Frequenza e tensione di rete

4. RISOLUZIONE PROBLEMI

In caso di malfunzionamenti/guasto dell'impianto, si accende il led rosso ("Fault", guasto) del pannello anteriore e lo schermo LCD visualizza la causa del problema.

Fare riferimento alla tabella seguente per un elenco di tutte le possibili avvertenze dello schermo LCD.

Avvertenza:	Grid V Fault (Guasto T Rete)
Spiegazione:	Tensione rete di alimentazione utenze troppo alta o troppo bassa
Azione:	<p>Controllare la tensione di rete sullo schermo. Attendere 5 minuti. Se la tensione di rete torna normale l'inverter si riavvia automaticamente.</p> <p>Se, quando l'inverter si avvia, la tensione aumenta e diventa troppo alta, è probabile che il collegamento alla rete abbia una resistenza troppo alta o che vi siano collegamenti errati.</p> <p>La tensione di rete può essere monitorata grazie al software di registrazione dei dati fornito con l'inverter. Una tensione di rete che aumenta più di 10V quando l'inverter passa da 0W alla potenza di uscita massima indica una rete di distribuzione elettrica ad alta impedenza.</p> <p>Se il problema persiste, contattare un elettricista.</p>
Avvertenza:	Grid F Fault (Guasto F Rete)
Spiegazione:	Frequenza rete di alimentazione utenze troppo alta o troppo bassa
Azione:	<p>Controllare la frequenza di rete sullo schermo. Attendere 5 minuti. Se la frequenza di rete torna normale l'inverter si riavvia automaticamente. Se la frequenza di rete resta al di fuori dei limiti dell'inverter, contattare un elettricista.</p>
Avvertenza:	Disconnected grid (Rete scollegata)
Spiegazione:	Nessuna tensione di rete sull'inverter.
Azione:	Verificare che il fusibile o l'interruttore dell'inverter solare nella scatola interruttore siano chiusi. Se il fusibile o l'interruttore sono chiusi, contattare l'assistenza.
Avvertenza:	High PV Voltage (Tensione FV elevata)
Spiegazione:	Tensione dal pannello solare troppo elevata.
Azione:	<p>Verificare il valore della tensione FV sullo schermo LCD (PV:xxxV). Se il valore è prossimo o supera quello indicato nelle specifiche come "Tensione massima di ingresso", aprire l'interruttore e rimuovere immediatamente tutti i cavi dall'inverter FV! Contattare l'assistenza. Se non si interviene, l'inverter FV subirà dei danni.</p>
Avvertenza:	High temperature (Surriscaldamento)
Spiegazione:	Temperatura inverter troppo elevata.
Azione:	<p>Verificare che la temperatura ambiente dell'inverter non sia troppo elevata. Verificare che il montaggio dell'inverter rispetti le relative specifiche, e che vi sia spazio sufficiente intorno allo stesso per la convezione. Verificare che la staffa di raffreddamento nera dietro all'inverter sia pulita e non sia ostruita. Se il problema persiste, contattare l'assistenza.</p>
Avvertenza:	Not Consistent (Incoerenza)
Spiegazione:	Dati contraddittori nei 2 microcontrollori all'interno dell'inverter.
Azione:	Contattare l'assistenza.
Avvertenza:	Eeprom damaged (Eeprom danneggiata)
Spiegazione:	Memoria Eeprom dell'inverter danneggiata.
Azione:	Contattare l'assistenza.
Avvertenza:	Low Isolation (Isolamento basso)
Spiegazione:	All'avvio dell'inverter, quest'ultimo misura l'isolamento elettrico tra i pannelli solari verso massa/terra di protezione. Se l'isolamento non è sufficiente, l'inverter non si avvia per evitare situazioni di mancanza di

EN

FR

DE

ES

IT

SE

Appendix

	sicurezza.
Azione:	Aprire l'interruttore, e disconnettere le spine CC dall'inverter per 5 minuti. Dopo 5 minuti, ricollegare le spine CC e chiudere l'interruttore CA. Se il problema persiste, contattare l'assistenza.

Avvertenza:	High ground I (I Terra elevata)
Spiegazione:	GFCI (Interruttore di corrente per guasto di messa a terra) attivo a causa di una corrente di guasto da parti sotto tensione verso terra. L'inverter si spegnerà.
Azione:	Aprire l'interruttore, e disconnettere le spine CC dall'inverter per 5 minuti. Dopo 5 minuti, ricollegare le spine CC e chiudere l'interruttore CA. Se il problema persiste, contattare l'assistenza.
Avvertenza:	Please Initiate (inizializzare)
Spiegazione:	Inverter non inizializzato in fabbrica per la prima volta.
Azione:	Contattare l'assistenza.
Avvertenza:	GFCI Damaged (GFCI danneggiato)
Spiegazione:	Unità di protezione GFCI danneggiata
Azione:	Contattare l'assistenza.
Avvertenza:	Sensor Damaged (sensore danneggiato)
Spiegazione:	Sensore di corrente CC dell'inverter danneggiato.
Azione:	Contattare l'assistenza.
Avvertenza:	SCI damaged (Interfaccia di comunicazione seriale danneggiata)
Spiegazione:	Comunicazione tra i due micro controller all'interno dell'inverter non riuscita.
Azione:	Contattare l'assistenza.
Avvertenza:	High DC INJ (Iniezione CC elevata)
Spiegazione:	Di norma l'inverter effettua l'iniezione di corrente CA nella rete pubblica. Quando viene visualizzato l'avvertimento "high DC INJ", per alcune ragioni l'iniezione di corrente CC supera i livelli consentiti, e l'inverter si spegne.
Azione:	Aprire l'interruttore, e disconnettere le spine CC dall'inverter per 5 minuti. Dopo 5 minuti, ricollegare le spine CC e chiudere l'interruttore CA. Se il problema persiste, contattare l'assistenza.
Avvertenza:	High Bus Voltage (tensione di bus elevata)
Spiegazione:	Tensione interna del bus troppo elevata.
Azione:	Aprire l'interruttore, e disconnettere le spine CC dall'inverter per 5 minuti. Dopo 5 minuti, ricollegare le spine CC (non chiudere l'interruttore!). Lo schermo visualizza l'avvertimento "High Bus Voltage"? Sì → la tensione dai pannelli solari è troppo elevata, o si è verificato un guasto interno (Contattare l'assistenza). No → chiudere l'interruttore e attendere che l'inverter si ricolleghi alla rete. Se l'avvertimento "High Bus" persiste, contattare l'assistenza.
Avvertenza:	Relay Damaged (relè danneggiato)
Spiegazione:	I relè interni usati per il collegamento dell'inverter alla rete sono danneggiati.
Azione:	Aprire l'interruttore. Contattare l'assistenza.
Avvertenza:	Auto test failed (controllo automatico non riuscito)
Spiegazione:	Autodiagnosi dell'inverter non riuscita. Guasto interno.
Azione:	Aprire l'interruttore, e disconnettere le spine CC dall'inverter per 5 minuti. Dopo 5 minuti, ricollegare le spine CC e chiudere l'interruttore CA. Se il problema persiste, contattare l'assistenza.
Avvertenza:	2.5V Ref Fault (Guasto Rif. 2,5V)
Spiegazione:	Riferimento tensione interna dell'inverter non corretto.
Azione:	Contattare l'assistenza.
Avvertenza:	Sullo schermo non viene visualizzato nulla.
Spiegazione:	
Azione:	Lo schermo è alimentato dalla potenza proveniente dai pannelli solari. Verificare che le spine CC siano ben collegate all'inverter. Se vi è luce solare sufficiente e lo schermo LCD non fornisce alcuna indicazione/valore → contattare l'assistenza.

5. SPECIFICHE

BlueSolar Grid Inverter	1500	2000	2800	4000	5000
USCITA RETE (CA)					
Potenza nominale di uscita	1500W	2000W	2800W	4000W	5000W
Potenza massima di uscita	1650W	2200W	3000W	4400W	5500W
Corrente nominale di uscita	6,52A	8,7A	12A	17,5A	22A
Corrente massima di uscita	7,2A	9,5A	13A	19A	24A
Protezione massima fusibile	16A	16A	16A	25A	25A
Distorsione armonica della corrente di uscita	<3% a potenza nominale		<5% al 50% della potenza		
Tensione nominale di uscita CA	220V - 230V - 240V				
Fattore di potenza	>0,99% a potenza nominale				
Gamma tensioni di esercizio CA	190-260V				
Frequenza nominale CA	50Hz				
Gamma frequenze di esercizio CA	45,5-54,5Hz				
Consumo interno di notte	<0,1W				
Resistente a corto circuito	Sì				
INGRESSO SOLARE (CC)					
Tensione massima di ingresso	450V	500V	500V	550V	550V
Gamma tensioni di ingresso MPPT	110-430V	110-480V	110-480V	110-530V	110-530V
Corrente massima di ingresso	9A	10A	13A	18A	20A
Potenza massima di ingresso	1750W	2280W	3160W	4500W	5200W
Numero di tracker MPPT	1	1	1	1	1
Numero di stringhe	1	1	2	4	4
Potenza di avvio	7W	7W	7W	10W	10W
Monitoraggio guasto di terra	RCMU (unità di controllo della corrente residua)				
Protezione contro l'inversione di polarità	Sì, con diodo di corto circuito				
EFFICIENZA					
Efficienza massima	95,5%	96,4%	96,4%	97,6%	97,8%
Efficienza europea standard	94,5%	95,4%	95,5%	96,7%	96,9%
GENERALE					
Topologia	Senza trasformatore				
Porta di comunicazione	RS232				
Intervallo temperatura di esercizio	da -20°C a 60°C (limite di potenza automatico potenza in caso di sovratemperatura interna)				
Intervallo temperatura a potenza nominale	da -20°C a +55°C.				
Intervallo temperatura di stoccaggio	da -20°C a +70°C.				
Altitudine massima	2000 m (riduzione di prestazioni del 5% a 4000 m)				
Metodo di raffreddamento	Convezione naturale				
Umidità relativa	Max 95%				
CUSTODIA					
Grado di protezione	IP54				
Connettori CC	MC4 (Multi Contact 4mm)				
Peso (kg)	14,8 kg	14,8 kg	14,8 kg	20,7 kg	20,7 kg
Dimensioni (AxLxP in mm)	376x415x125	376x415x125	376x415x125	368x475x195	368x475x195
NORMATIVE					
Sicurezza	EN 50178				
Compatibilità elettromagnetica, Emissioni	EN 61000-6-3				
Compatibilità elettromagnetica, Immunità	EN 61000-6-2				
Compatibilità elettromagnetica, Armoniche a rete	EN 61000-3-2, EN 61000-3-3				

Innan du börjar

Denna handbok innehåller viktig information om installation och säker drift av denna enhet. Vi ber dig läsa denna handbok noggrant före användning av BlueSolar Växellikriktare för nät.

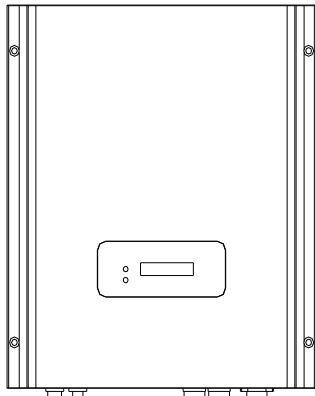
BlueSolar nätanslutna växellikriktare är professionella produkter som endast får installeras av behörig personal. Vi ber dig läsa säkerhetsinstruktionerna för mer information.

Inuti växellikriktaren förekommer mycket höga spänningar som är livsfarliga.

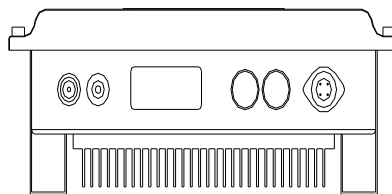
Om du stöter på problem under installationen eller under drift kontrollera då först denna handbok innan du kontaktar din lokala återförsäljare eller en representant för Victron Energy. Instruktionerna i denna handbok kommer att hjälpa dig lösa de flesta installations och driftsproblem.

1. Innehåll

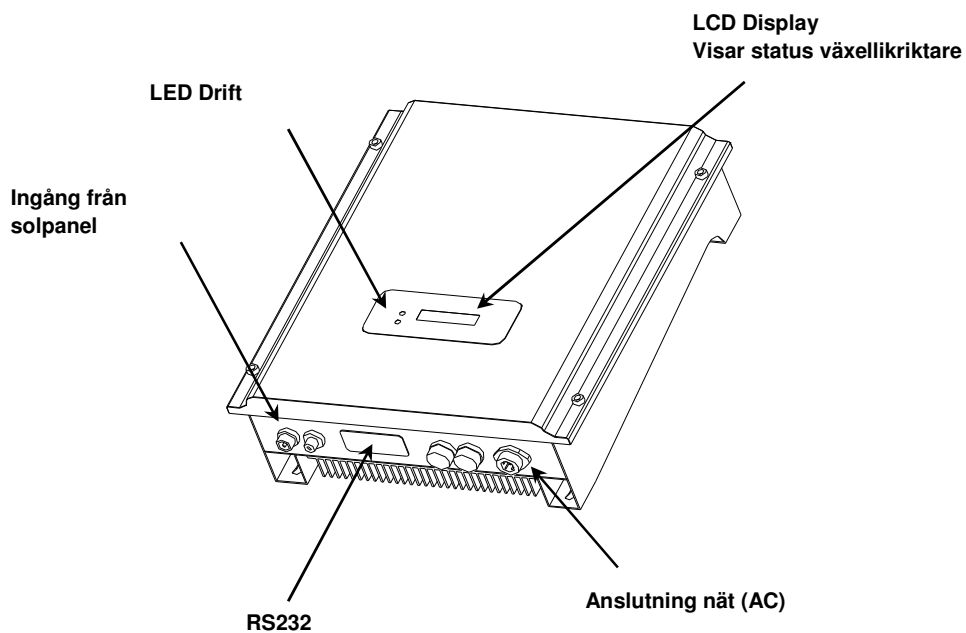
BlueSolar 1500, 2000 och 2800 översikt



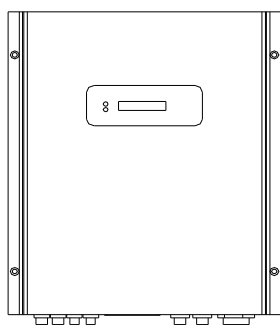
Sedd framifrån



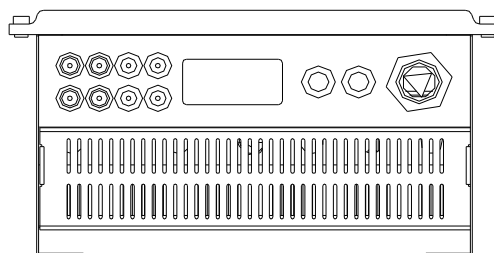
Sedd underifrån



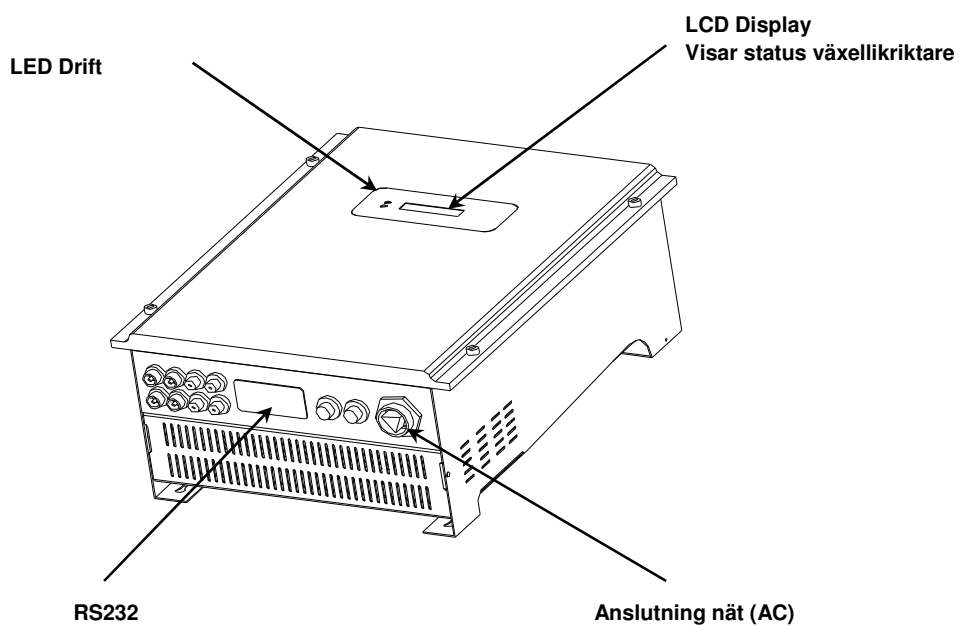
BlueSolar 4000 och 5000 översikt



Sedd framifrån



Sedd underifrån



Öppna förpackningen

När du öppnat förpackningen, kontrollera innehållet i förpackningen. Förpackningen skall innehålla:

Åtgärd	Namn	Mängd
1	BlueSolar växellikriktare	1
2	Monteringsram	1
3	Monteringskruvar	4
4	Låsskruvar	2
5	AC uttag	1
6	Instruktionshandbok	1

2. INSTALLATION

2.1 Säkerhetsinstruktioner



Solarpaneler och kablar skall ha skyddklass II



Koppla inte ifrån DC-kablarna när växelriktaren är ansluten till nätet.
Likströmsbågar kommer att skada kontakterna och kan leda till allvarliga brännskador och till brandrisk.



Kvalificerad personal måste installera växelriktaren.
Denna växelriktare skall anslutas till en separat säkring i brytarskåpet. Inga andra hushållskomponenter får anslutas till denna.



Öppna inte växelriktaren!
Högspänning inuti växelriktaren kan vara livsfarlig.
Även efter att enheten är frikopplad från nätet och från de solcellspanelerna kan högspänning fortfarande förekomma i PV-växelriktaren.



Vissa delar och ytor hos växelriktaren kan bli heta under drift. För att minska risken för skada berör inte kylflänsen på baksidan av växelriktaren eller intilliggande ytor medan PV-växelriktaren är i drift.



Installera inte växelriktaren i närheten av explosiva ångor eller brännbara föremål.



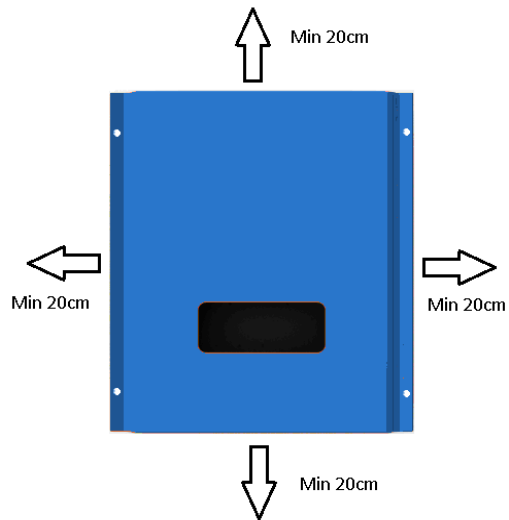
Denna enhet är konstruerad för användning utomhus (IP65).

Utsätt inte växelriktaren för direkt solljus.
Direkt solljus ökar den invändiga temperaturen vilken kan minska konverteringsgraden.

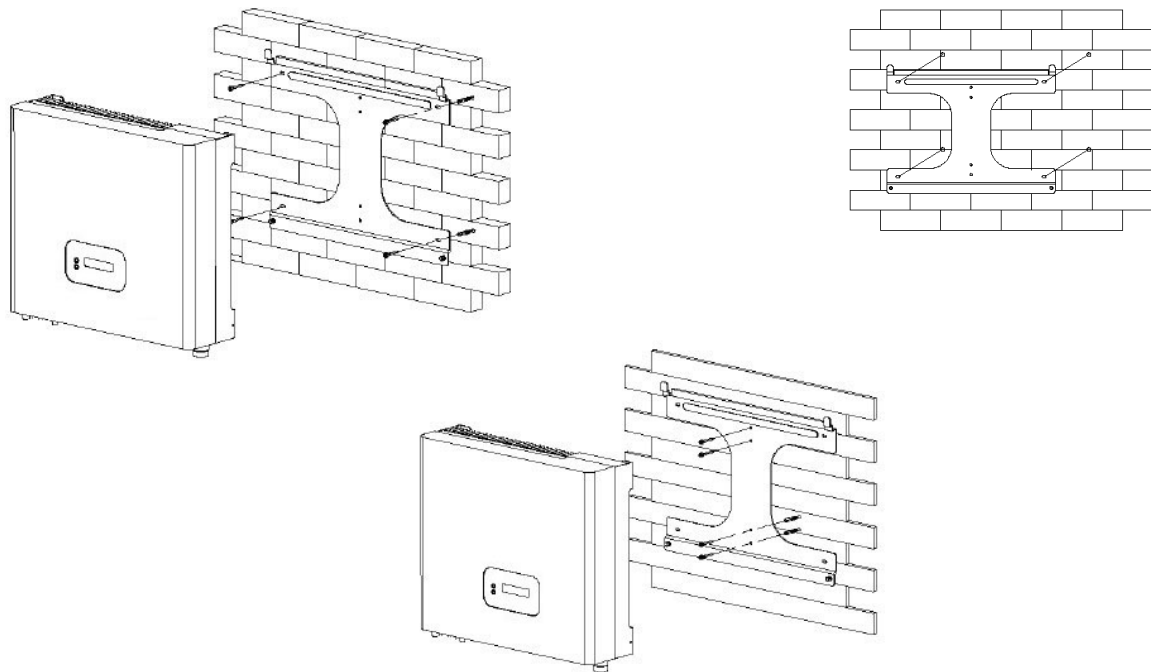
Utsätt inte växelriktaren för regn.
Direkt exponering mot regn kan med tiden öka fuktighetsgraden i enheten och slutligen i att den slutar fungera.

2.2 Monteringsanvisningar

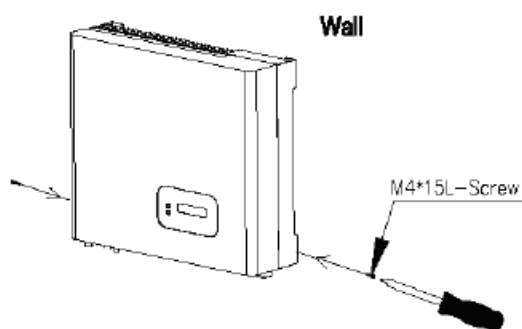
- A. Välj ut en vägg eller en solid vertikal yta som kan hålla växelriktaren.
- B. Växelriktaren använder sig av naturlig konvektion för kylning. Lämna minst 20 cm utrymme ovanför, under och på sidorna av växelriktaren.



- C. Använd monteringsramen som en mall, borra 4 hål enligt anvisning i följande bilder.



- D. Fäst monteringsramen på väggen med hjälp av de 4 skruvarna.
- E. Häng upp växelriktaren i monteringsramen.
- F. Montera låsskruvarna i det undre benet för att säkra växelriktaren.

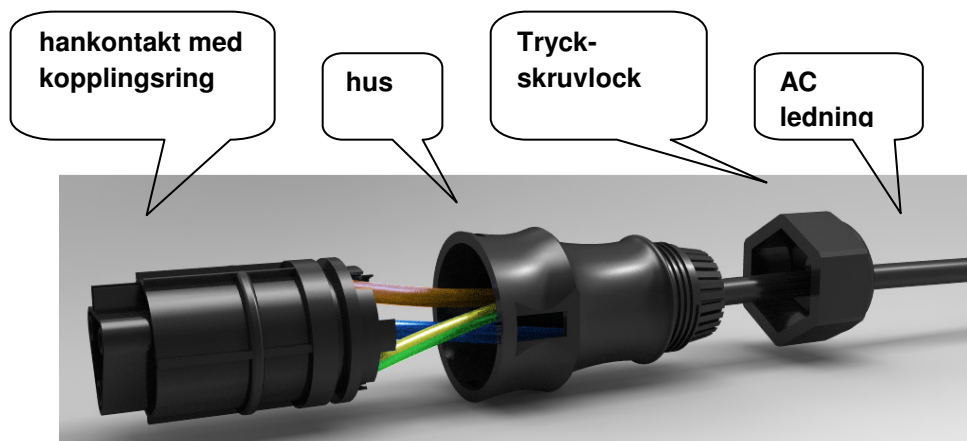


- G. Kontrollera fastsättningen av växelriktaren genom att försöka lyfta den underifrån.
The inverter should remain firmly attached.

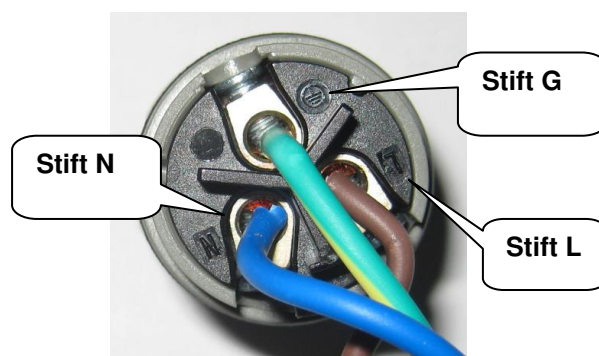
När monteringen är slutförd, kan växelriktaren börja användas.

2.3 Anslutning av växelriktaren till det offentliga nätet

- I. Installera en separat AC-ledning från brytarskåpet till solarväxelriktaren.
Inga andra elektriska apparater får anslutas till denna ledning.
Öppna brytaren eller säkringen för att bryta strömmen från ledningen.
- J. Anslut en nätkabel till AC-kontakten enligt beskrivning nedan:




- Stick in en AC-ledning genom att tryck på skruvlocket mot huset. Anslut ledningarna med den polaritet som anges på kopplingsplinten. L→LINJE (brun eller svart), N→Nolla (blue) och G→system jord (gul/grön).
- Fäst packningsplattan med medföljande skruvar.
- Vrid packningsplattan så att kabeln är ordentligt fastsatt.
- Stick in linjeledning till stift L, nolla till stift N och jord till stift G.



Rekommenderad kabelstorlek för AC kabel

Modell	Min kabelstorlek (mm ²)
BueSolar 1500	1,50
BueSolar 2000	2,50
BueSolar 2800	2,50
BueSolar 4000	4,00
BueSolar 5000	4,00

- C. Connect the mains-cable to the inverter.
- D. Anslut kablarna från nätet till de specifika eluttagen.



Stäng inte kretsbrytaren eller säkringens medan du arbetar med växelriktaren.

2.4 Anslut växelriktaren till de solcellspanelerna


- A. Anslutningarna från de fotoelektromotoriska panelerna skall vara MC4 (Multi-Contact 4mm)




När mer än en PV-rad är ansluten till växelriktaren (för 2800, 4000 och 5000W) modellerna se till att solmodulraderna är identiska. Den totala tomgångsspänningen och kortslutningsströmmen måste vara lika.

För att ansluta dessa kontakter till solcellskablarna krävs specialverktyg och får bara utföras av kvalificerade personer. Felaktig anslutning kan medföra risk för brand. De flesta solcellspaneler har dessa kontakter redan monterade på kablarna.

- B. Spänningen från solcellspanelerna får aldrig överstiga maximalt ingående spänning för växelriktaren.



Blue Solar 1500: Tomgångsspänningen (open circuit voltage > VOC) i en solcellsanläggning får aldrig överskrida 450V under några förhållanden!
Blue Solar 2000 and 2800: VOC får aldrig överskrida 500V under några förhållanden!
Blue Solar 4000 and 5000: VOC får aldrig överskrida 550V under några förhållanden!
Växelriktaren kan skadas permanent om VOC är för högt.



Observera att VOC är som högst när solcellspanelerna ligger på den lägsta lokala temperatur som kan förväntas och inte är strömbärande (växelriktaren frikopplad från nätet) med maximalt solljus (1000W/m²).

C. Kontrollera att polariteten hos DC kontaktarna är korrekt. Fekaktiv polaritet kan permanent skada enheten.

D. Anslut de positiva och den negativa kontaktarna från PV-panelen till positiv (+)kontakt och negativ (-) kontaktarna på växelriktaren. Maximal märkström på DC kontaktarna är 20A.



Kontrollera att kortslutningsströmmen i solcellpaneluppsättningen är under maximal DC ingående ström i växelriktaren.

Växelriktaren kommer inte att dra mer ström från panelerna än max för solcellspanel (se specifikation). Om mängden ström från panelerna är större kommer växelriktaren inte att kunna ta emot denna överskottsström/effekt. Den totala effekten från systemet kommer att bli lägre än förväntat.

2.5 Upstartning av systemet

När PV-panelerna är anslutna och utspänningen är större än 100VDC, men AC nätet ännu inte anslutet, kommer LCD displayen att visa följande meddelanden: MODEL= XkW"-> "Waiting" -> "Disconnect grid" ("MODEL= XkW"-> "Väntar" -> "Koppla ifrån nätet"). Displayen upprepar "Koppla ifrån nätet" och den röda LED "Fault" ("förlampan") tänds.

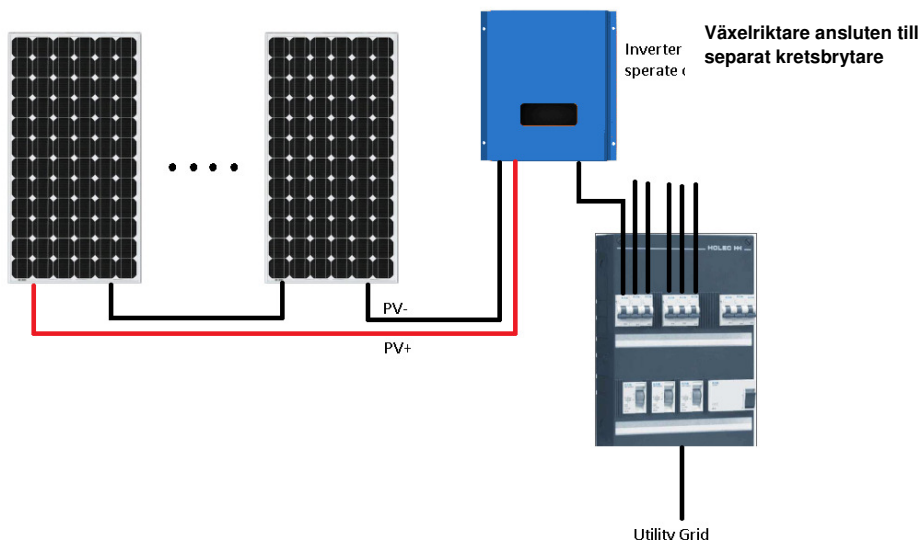
Stäng AC brytaren eller säkringen mellan PV-växelriktaren och nätet.

Om nätspänningen och frekvens är inom gränserna kommer en nedräkning av börja (synlig på displayen).

När nedräkningen har nått 0s kommer växelriktaren att ansluta till nätet och börja leverera energi.

LCD displayen visar "Pac=xxxx.xW" vilket är den inmatade effekten till nätet. Grön LCD kommer att lysa och visa på normalt tillstånd.

2.6 Systemdiagram



3. DRIFTSFORMER

Det finns 5 olika driftsformer.

Standby-läge

Om spänningen från solcellspanelerna är <100VDC har växelriktaren precis den effekt som behövs för att starta upp den invändiga styrenheten men spänningen är för låg för att påbörja effektomvandling.

Vänteläge

När spänningen från solcellspanelerna är >100VDC går växelriktaren över till ett vänteläge och försöker ansluta till nätet.

Normalläge

I detta läge arbetar växelriktaren normalt. När spänningen från PV panelen är tillräcklig (spänning >150VDC) omvandlar växelriktaren effekt till nätet. I normalläge lyser grön LED.

Felläge

Den invändiga styrenheten övervakar kontinuerligt systemstatus. I händelse av oväntade driftssituationer uppstår som nätfel eller invändiga fel, kommer detta att synas på LCD displayen och en röd "Fault" ("fella") tänds.

Nedstängningsläge

Under perioder med lite eller inget solljus stannar växelriktaren automatiskt. Displayen och lysdioderna (LED) på frontpanelen fungerar inte.

Sekvens uppstartningsdisplay: När PV-effekten är tillräcklig, visar växelriktaren följande information:

"User: xxxx" → "Spec:xxxx" → "Model:x.xkW" → "SW Version :xx.xx" → "Checking xxS" → "Normal State" → "Pac= xxx.x W"
("Användare: xxxx" → "Spec:xxxx" → "Modell:x.xkW" → "SW Version :xx.xx" → "Kontrollerar xxS" → "Normaltillstånd" → "Pac= xxx.x W").

The LCD display backlight automatically turns off after 30 seconds to save power.

LCD display

Första raden på displayen		
Delstat	Display-innehåll	Anmärkning
Vänteläge	Avvaktande	Inledande väntan
	Kontrollerar xxS	Systemkontroll
	Återanslut inom xxS	Systemkontroll
	Viloläge	PV-pänning låg
Normaltillstånd	Pac = xxx.x W	Växelriktare uteffekt
Autom. testtillstånd	Autom. testning	Skydd autom. test
Feltillstånd	System xx Fel	Systemfel
Permanenttillstånd	Växelriktare xx skadad	Växelriktarfel
Programtillstånd	Programmering	Uppdatera programvara

Andra raden på displayen		
Cykeldisplay	Display tid/sek	Anmärkning
User: xxxx	1	Användartyp
Spec: xxxx	1	Spec typ växelriktare
Model:x.xkW	1	Växelriktarmodell
SW Version:xx.xx	1	Programversion
Etotal: xxxkWh	2	Total energi
Etoday: xx.xkWh	2	Energi idag
Ttoday:xxhxxmin	2	Driftstimmar idag
PV:xxxV BUS:xxxV	2	PV och Bus spänning
AC:xxxV xx.xHz	2	Nätspänning och frekvens

4. FELSÖKNING

Vid funktionsfel/systemfel tänds den röda (fel) lysdioden (LED) på frontpanelen och LED displayen visar problemorsaken. Se tabellen nedan med en förteckning över alla tänkbara LCD-varningar.

Varning:	Grid V Fault (Nätspänningsfel)
Förklaring:	Nätspänningen är för hög eller för låg
Åtgärd:	<p>Kontrollera nätspänningen på displayen. Vänta i 5 minuter. Om nätspänningen återgår till normalläge återstartar växelriktaren automatiskt.</p> <p>Om spänningen ökar och blir för hög när växelriktaren startar upp kan det betyda att nätanslutningen har för högt motstånd eller att det är dåliga anslutningar.</p> <p>Det är möjligt att övervaka nätspänningen med dataloggningsprogramvaran som medföljer växelriktaren. Nätspänning som ökar med mer än 10V när växelriktaren går från 0W till full uteffekt indikerar en hög impedans på nätet.</p> <p>Om problemet kvarstår, kalla på en elektriker.</p>
Varning:	Grid F Fault (Nätfrekvensfel)
Förklaring:	Nätfrekvensen är för hög eller för låg
Åtgärd:	<p>Kontrollera nätfrekvensen på displayen. Vänta i 5 minuter. Om nätfrekvensen återgår till normaltillstånd kommer växelriktaren att återstarta automatiskt.</p> <p>Om nätfrekvensen kvarstår utanför växelriktarens frekvensområde, kalla på en elektriker.</p>
Varning:	Disconnected grid (Frånkopplat nät)
Förklaring:	Det finns ingen nätspänning på växelriktaren.
Åtgärd:	Kontrollera om säkring eller kretsbrytare på växelriktaren i solcellspanelen i kretsbyrarskåpet är stängda. Om kretsbrytare eller säkring är stängda, kalla på elektriker.
Varning:	High PV Voltage (Hög PV-spänning)
Förklaring:	Spänningen från solcellspanelerna är för hög.
Åtgärd:	<p>Kontrollera värdet på LCD panelen som hänvisar till PV-spänningen, (PV: xxxV). Om värdet är nära eller mer än värdet i specifikationen benämnd "Max ingående spänning", öppna kretsbyraren och ta omedelbart bort alla kablarna från PV-växelriktaren! Ring efter elektriker. Din PV-likriktare kommer att skadas om inga åtgärder vidtas.</p>
Varning:	Hig Temperature (Hög temperatur)
Förklaring:	Temperaturen i växelriktaren är för hög.
Åtgärd:	<p>Kontrollera om växelriktarens omgivningstemperatur är för hög. Kontrollera om växelriktaren är monterad i enlighet med specifikationen och att det finns tillräckligt med utrymme runt växelriktaren för konvektion. Kontroller den svarta kylkonsolen baktill på växelriktaren är ren och obehindrad. Om problemet kvarstår, ring efter elektriker.</p>
Varning:	Not Consistent (Inte konsekvent)
Förklaring:	De två mikrokontrollerna i växelriktaren visar motstridiga data.
Åtgärd:	Ring efter elektriker.
Varning:	Eeprom damaged (Eeprom skadat)
Förklaring:	Eeprom minnet i växelriktaren skadat.
Åtgärd:	Ring efter elektriker.
Varning:	Low Isolation (Låg isolering)
Förklaring:	Under uppstartning av växelriktaren, mäter växelriktaren den elektriska isoleringen mellan solcellspanelerna till skyddsjord. Om isoleringen är otillräcklig, kommer växelriktaren inte att starta för att förhindra att en farlig situation uppstår.
Åtgärd:	Öppna brytaren och koppla ifrån DC-kontakterna från växelriktaren under 5 minuter. Sätt tillbaka DC-kontakterna efter 5 minuter och stäng kretsbyraren.

EN

FR

DE

ES

IT

SE

Appendix

Varning:	High ground I (Hög jordning)I
Förklaring:	Jordfelsbrytaren är aktiv på grund av att fel i spänningsförande delar till jord. Växelriktaren kommer att koppla ifrån.
Åtgärd:	Öppna brytaren och koppla ifrån DC-kontaktarna från växelriktaren under 5 minuter. Sätt tillbaka DC-kontaktarna efter 5 minuter och stäng kretsbrytaren. Om problemet kvarstår, ring efter elektriker.
Varning:	Please initiate (Vänligen initiera)
Förklaring:	Växelriktaren har inte initierats första gången i fabriken.
Åtgärd:	Ring efter elektriker
Varning:	GFCI Damaged (Jordfelsskydds brytaren skadad)
Förklaring:	Jordfelsskydds brytarenheten är skadad.
Åtgärd:	Ring efter elektriker
Varning:	Sensor Damaged (Sensor skadad)
Förklaring:	DC strömsensorn i växelriktaren är skadad.
Åtgärd:	Ring efter elektriker
Varning:	SCI damaged (SCI skadat)
Förklaring:	Kommunikationen mellan de två mikrokontrollerna och växelriktaren fungerar inte.
Åtgärd:	Ring efter elektriker
Varning:	High DC INJ (Hög DC överföring)
Förklaring:	Normalt överför växelriktaren AC ström till det publika nätet. När varningen "hög DC INJ" lyser är av någon anledning överföringen av DC-ström till nätet högre än acceptabelt och växelriktaren stängs av.
Åtgärd:	Öppna brytaren och koppla ifrån DC-kontaktarna från växelriktaren under 5 minuter. Återanslut DC kontaktarna efter 5 minuter och stäng AC brytaren. Om problemet kvarstår ring efter elektriker.
Varning:	High Bus Voltage (Hög Bus spänning)
Förklaring:	Den invändiga BUS-spänningen är för hög.
Åtgärd:	Öppna brytaren och koppla ifrån DC-kontaktarna från växelriktaren under 5 minuter. Återanslut DC-kontaktarna efter 5 minuter (stäng inte krets brytaren!). Lyser varningen "Hög Bus Spänning" på displayen? Ja → spänningen från solcellspanelerna är för hög eller så föreligger ett invändigt fel. (Ring efter elektriker). Nej → stäng krets brytaren och vänta på att växelriktaren skall återkoppla till nätet. Om "Hög Bus spännings" varningen återkommer efter att nätet har anslutits igen, föreligger förmodligen ett fel på nätet (Ring efter elektriker).
Varning:	Relay Damaged (Relä skadat)
Förklaring:	De invändiga reläerna för anslutning av växelriktaren till nätet är skadade.
Åtgärd:	Öppna krets brytaren. Ring efter elektriker
Varning:	Auto test failed (Autom. test misslyckades)
Förklaring:	Självttest av växelriktaren har misslyckats. Det finns ett invändigt fel.
Åtgärd:	Öppna brytaren och koppla ifrån DC-kontaktarna från växelriktaren under 5 minuter. Sätt tillbaka DC-kontaktarna efter 5 minuter och stäng krets brytaren. Om problemet kvarstår, ring efter elektriker.
Varning:	2.5V Ref Fault (2.5 Spänningsreferensfel)
Förklaring:	Den invändiga spänningsreferensen i växelriktaren är defekt.
Åtgärd:	Ring efter elektriker.
Varning:	Displayen visar inte någon information
Förklaring:	
Åtgärd:	Strömmen till displayen kommer från solcellspanelerna. Kontrollera att DC-kontaktarna är riktigt anslutna till växelriktaren. Om det finns tillräckligt solljus och LCD displayen inte ger någon indikation/värd → ring efter elektriker.

5. SPECIFIKATIONER

BlueSolar Grid Inverter	1500	2000	2800	4000	5000
NÄT UTEFFEKT (AC)					
Nominell uteffekt	1500W	2000W	2800W	4000W	5000W
Maximal uteffekt	1650W	2200W	3000W	4400W	5500W
Nominellt utgående ström	6,52A	8,7A	12A	17,5A	22A
Maximalt utgående ström	7,2A	9,5A	13A	19A	24A
Maximal skyddsavsäkring	16A	16A	16A	25A	25A
Harmonisk distortion för utgående ström	<3% vid nominell effekt <5% vid 50 % effekt				
Nominell AC utspänning	220V - 230V - 240V				
Effektfaktor	>0,99% vid nominell effekt				
Operativt AC spänningsområde	190-260V				
Nominell frekvens	50Hz				
Operativt AC frekvensområde	45,5-54,5Hz				
Invändig förbrukning om natten	<0,1W				
Kortslutningssäker	Ja				
SOLCELL INPUT (DC)					
Maximal ingående spänning	450V	500V	500V	550V	550V
Ingående spänning MPPT område	110-430V	110-480V	110-480V	110-530V	110-530V
Maximal ingående ström	9A	10A	13A	18A	20A
Maximal ingående effekt	1750W	2280W	3160W	4500W	5200W
Antal MPPT spårare	1	1	1	1	1
Antal strängar	1	1	2	4	4
Uppstartningseffekt	7 W	7 W	7 W	10 W	10 W
Övervakning jordfel	RCMU (residual current monitoring unit) (jordfelsbrytare övervakningsenhet)				
Polaritetsskydd	Ja, med kortslutningsdiod				
VERKNINGSGRAD					
Maximal verkningsgrad	95.5%	96.4%	96.4%	97.6%	97.8%
Verkningsgrad europeisk standard	94.5%	95.4%	95.5%	96.7%	96.9%
ALLMÄNT					
Topologi	Transformatorlös				
Kommunikationsport	RS232				
Arbetstemperaturintervall	- 20°C till 60°C (automatisk effektgräns i händelse av invändig övertemperatur)				
Nominellt effekttemperaturområde	-20 ^o till 55 ^o				
Förvaringstemperatur	-20 ^o till 70 ^o				
Maximal driftshöjd	2000 m (5% minskning vid 4000 m)				
Kylmetod	Naturlig konvektion				
Relativ fuktighet	Max 95%				
HÖLJE					
Skyddsgrad	IP54				
DC kontakter	MC4 (Multikontakt 4mm)				
Vikt (kg)	14,8 kg	14,8 kg	14,8 kg	20,7 kg	20,7 kg
Dimensioner (HxBxD) mm	376x415x125	376x415x125	376x415x125	368x475x195	368x475x195
STANDARDER					
SÄKERHET	EN 50178				
EMC, Emission	EN 61000-6-3				
EMC, Immunitet	EN 61000-6-2				
EMC, övertoner och flimmer	EN 61000-3-2, EN 61000-3-3				
Automatisk fränkoppling från nätet	VDE 0126-1-1				

EN

FR

DE

ES

IT

SE

Appendix

Victron Energy Blue Power

Distributor:

Serial number:

Version : 00
Date : 14 February 2011

Victron Energy B.V.
De Paal 35 | 1351 JG Almere
PO Box 50016 | 1305 AA Almere | The Netherlands

General phone : +31 (0)36 535 97 00
Customer support desk : +31 (0)36 535 97 03
Fax : +31 (0)36 535 97 40

E-mail : sales@victronenergy.com

www.victronenergy.com